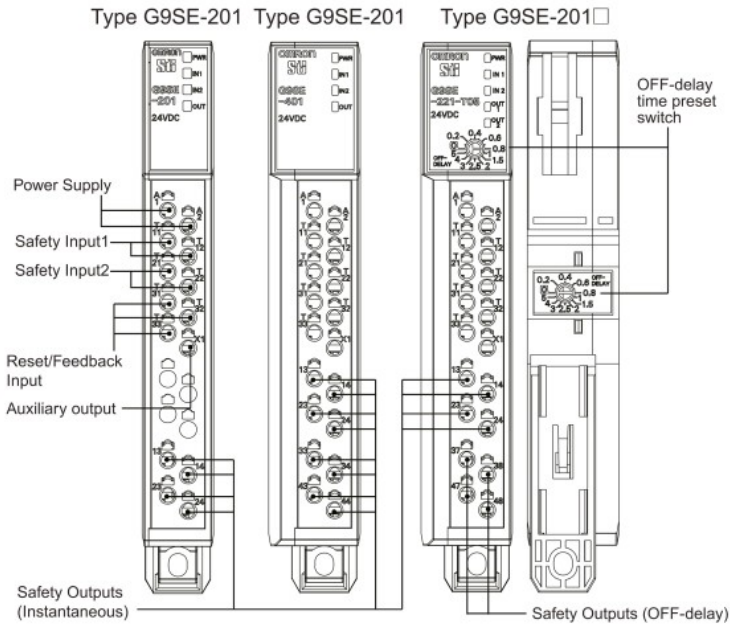


G9SE

Appearance and Explanation of Each Parts



Dimensions and Terminal arrangement

(Unit: mm)

