

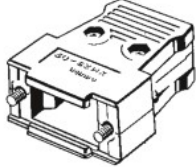
XM2S Hood Covers

■ Dimensions

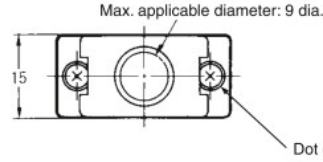
(unit: mm)

9-contact Hoods

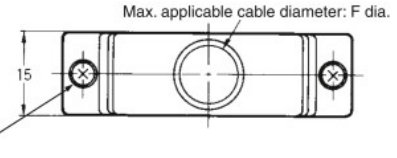
- XM2S-0911
(M2.6 × 0.45 metric screws)
- XM2S-0912
(M3 × 0.5 metric screws)
- XM2S-0913
(#4-40 UNC inch screws)



9-contact Hoods

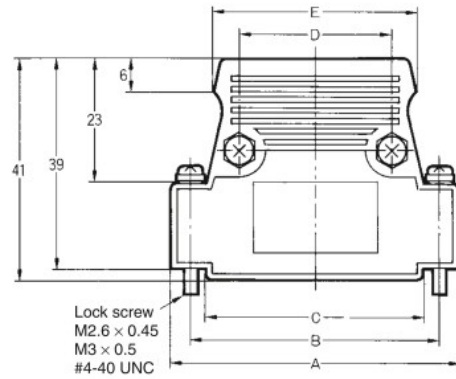
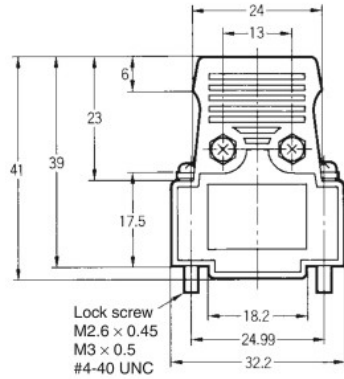
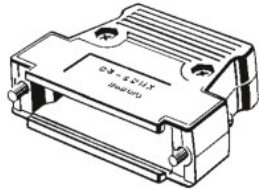


15-, 25- and 37-contact Hoods



15-, 25- and 37-contact Hoods

- XM2S-□□11
(M2.6 × 0.45 metric screws)
- XM2S-□□12
(M3 × 0.5 metric screws)
- XM2S-□□13
(#4-40 UNC inch screws)



Dot shape		
No dot	1 dot	2 dots

Dimensions

No. of contacts	A	B	C	D	E	F
15	40.5	33.32	26.5	19	30	10
25	54.0	47.04	40	29	38	11
37	70.5	63.50	57	42	50	13

■ Ordering Information

Applicable Anchors	Lock screw	M2.6 × 0.45 metric screws (No dot)	M3 × 0.5 metric screws (1 dot)	#4-40 UNC inch screws (2 dots)
	Anchor 1	XM2Z-0001	XM2Z-0002	XM2Z-0003
	Anchor 2	XM2Z-0011	XM2Z-0012	XM2Z-0013
No. of contacts	Anchor 3	XM2Z-0021	XM2Z-0022	XM2Z-0023
9		XM2S-0911	XM2S-0912	XM2S-0913
15		XM2S-1511	XM2S-1512	XM2S-1513
25		XM2S-2511	XM2S-2512	XM2S-2513
37		XM2S-3711	XM2S-3712	XM2S-3713

Note: Lock screws are attached to the Hood. Select D-sub Connectors with Anchors or Grounding Fixtures that fit the lock screw of the Hood.

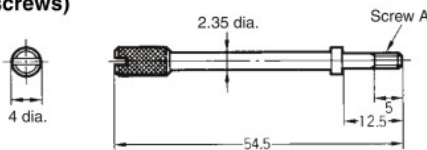
■ Accessories (Sold Separately)

Anchor 5 (For Jackscrews and XM2S Hood)

- XM2Z-0071 (M2.6 × 0.45 metric screws)
- XM2Z-0072 (M3 × 0.5 metric screws)
- XM2Z-0073 (#4-40 UNC inch screws)



Materials and Finish
Brass/nickel plated



Dimensions

Model	A	Groove	Groove shape
XM2Z-0071	M2.6 × 0.45	None	
XM2Z-0072	M3 × 0.5	1	
XM2Z-0073	#4-40 UNC	2	