

F3W-D

Dimensions

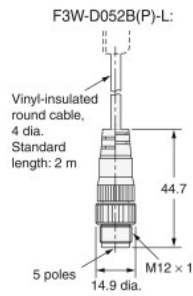
(Unit: mm)

Sensors

F3W-D

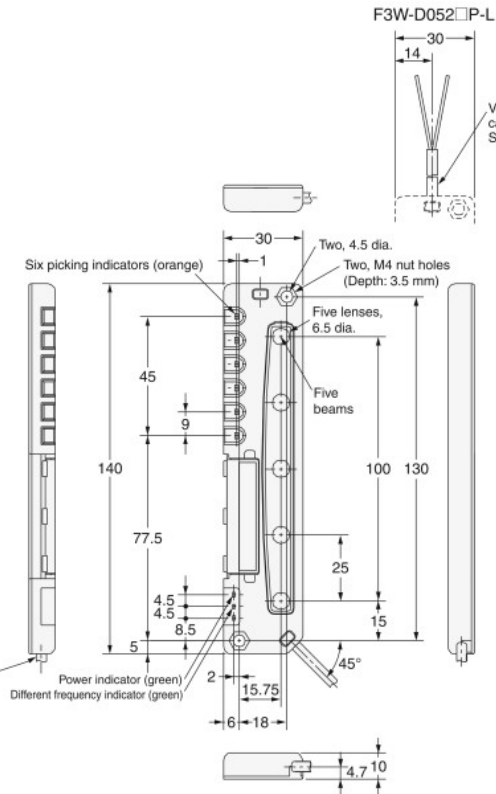
Emitter

F3W-D052A(P)-L
F3W-D052B(P)-L



Two, M4 nut holes (Depth: 1 mm)

Vinyl-insulated round cable with four conductors, 4 dia.
Conductor: 0.2 mm²
Insulation: 1.1 mm dia.
Standard length: 5 m

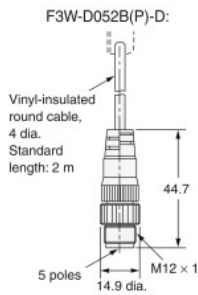


Mounting Hole Dimensions



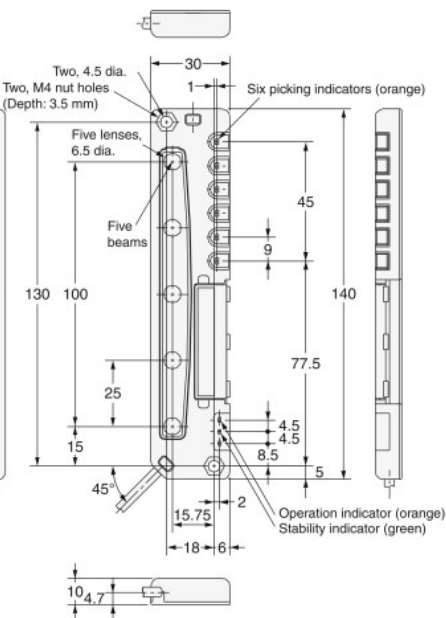
Receiver

F3W-D052A(P)-D
F3W-D052B(P)-D



Two, M4 nut holes (Depth: 1 mm)

Vinyl-insulated round cable with five conductors, 4 dia.
Conductor: 0.2 mm²
Insulation: 1.1 mm dia.
Standard length: 5 m



Mounting Hole Dimensions

