

Safety Precautions

Refer to *Warranty and Limitations of Liability*.

⚠ WARNING

This product is not designed or rated for ensuring safety of persons either directly or indirectly. Do not use it for such purposes.



Precautions for Correct Use

Do not use the product in atmospheres or environments that exceed product ratings.

●Wiring

For details on [Extension Cables](#), refer to E3C.

Dimensions

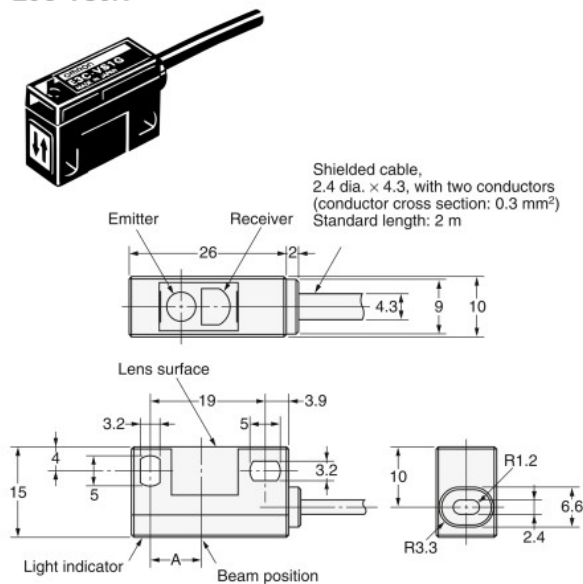
(Unit: mm)

Tolerance class IT16 applies to dimensions in this datasheet unless otherwise specified.

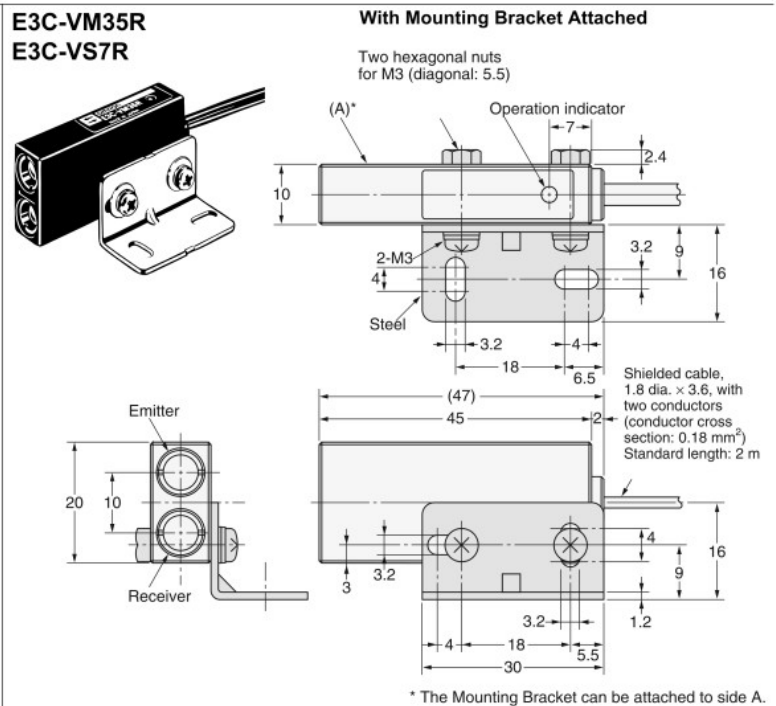
Sensors

Sensor Heads

E3C-VS1G
E3C-VS3R



E3C-VM35R
E3C-VS7R



Amplifier Unit

Refer to *E3C* for details.

Accessories (Order Separately)

Mounting Brackets

Refer to *E39-L/F39-L/E39-S/E39-R* for details.