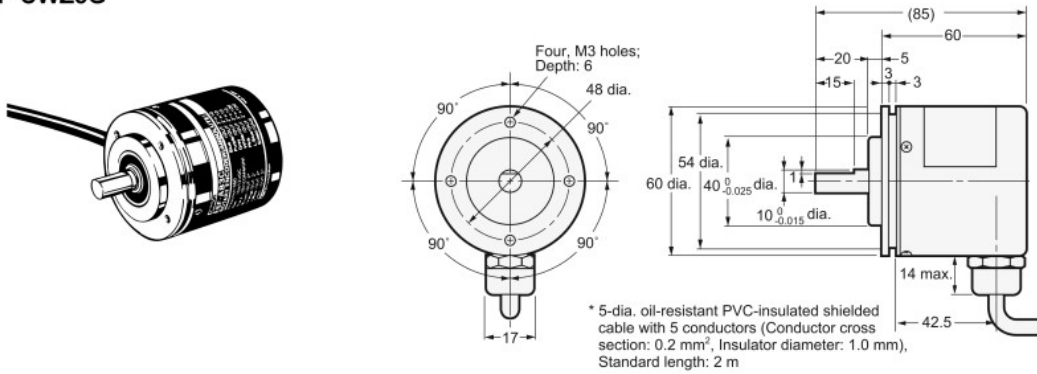


## Dimensions

Tolerance class IT16 applies to dimensions in this datasheet unless otherwise specified.

### Encoder

#### E6F-CWZ5G

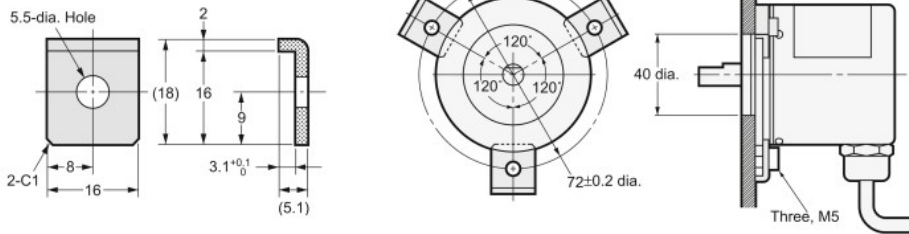


### Accessories (Order Separately)

#### Servo Mounting Bracket

##### E69-2

#### Mounting Bracket Installation



#### Couplings

##### E69-C10B

##### E69-C610B

##### E69-C10M

Refer to *Accessories* for details.