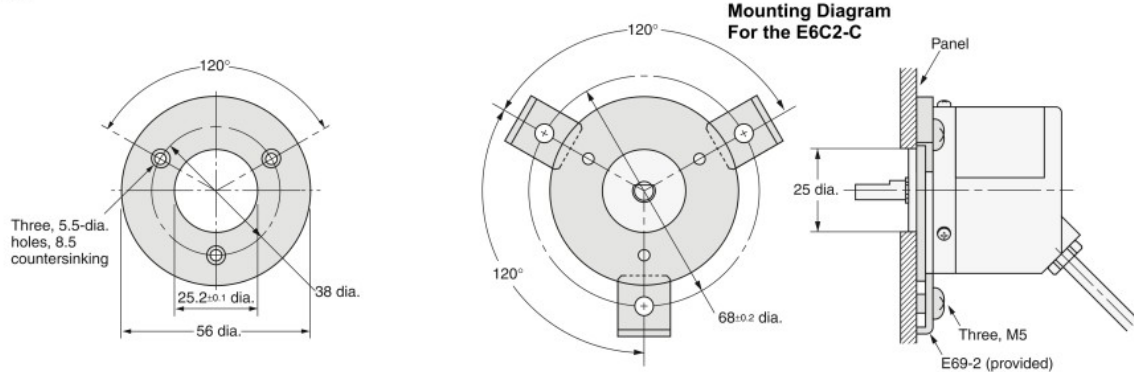


## E69-FCA02

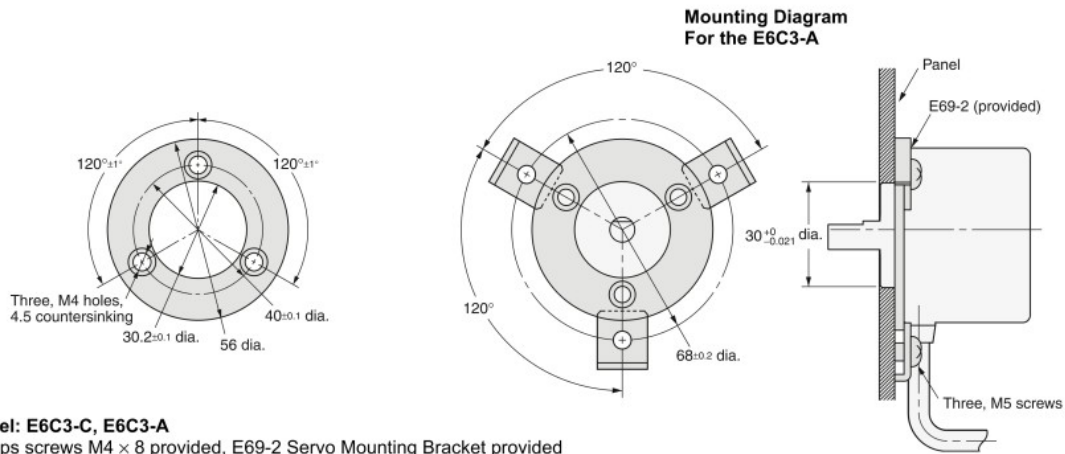


Material: SPCC  
Thickness: 3.2

**Applicable model: E6C2-C**

Note: Three phillips screws M4 × 10 provided, E69-2 Servo Mounting Bracket provided

## E69-FCA04



Material: SPCC  
Thickness: 3.2

**Applicable model: E6C3-C, E6C3-A**

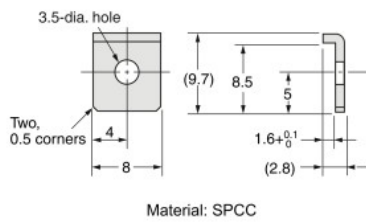
Note: Three phillips screws M4 × 8 provided, E69-2 Servo Mounting Bracket provided

## Servo Mounting Bracket Dimensions

(Unit: mm)

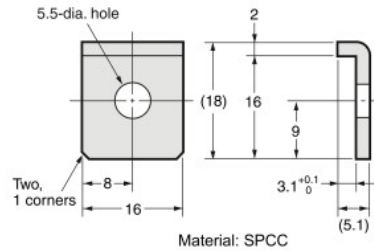
Tolerance class IT16 applies to dimensions in this datasheet unless otherwise specified.

### E69-1 (Three brackets in a set.)



**Applicable model: E6A2-C**

### E69-2 (Three brackets in a set.)



**Applicable model: E6B2-C, E6C2-C, E6C3-CWZ□H, E6D-C, E6F-C, E6CP-A, E6C3-A, E6F-A**