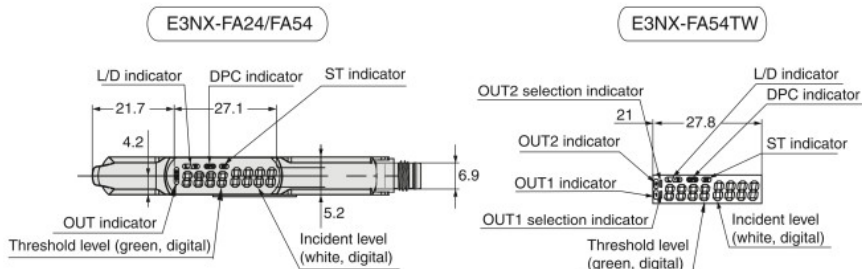
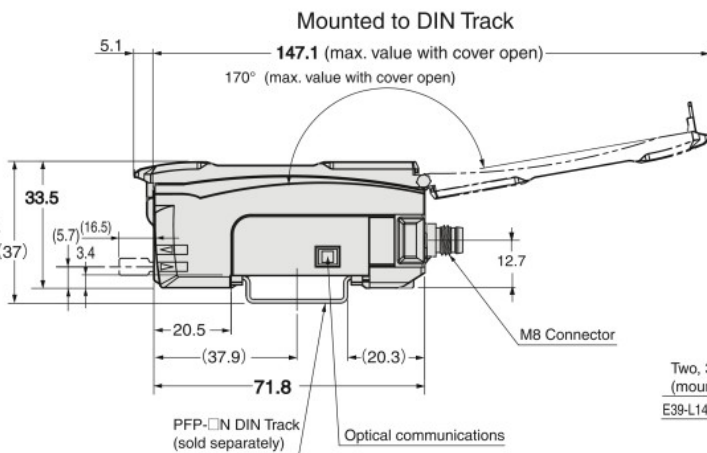
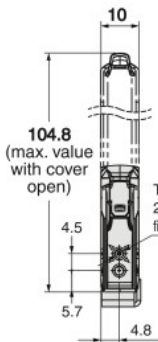
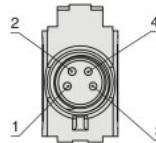


Amplifier Units with M8 Connectors

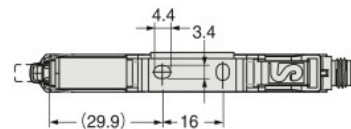
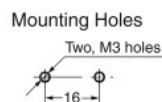
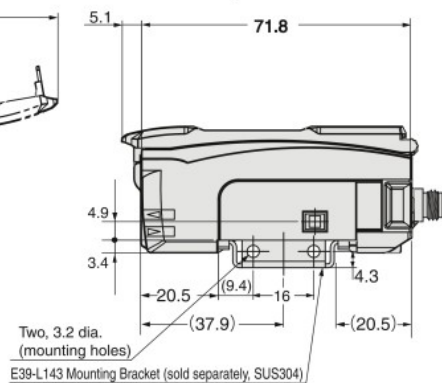
E3NX-FA24
E3NX-FA54
E3NX-FA54TW



Connector pin arrangement

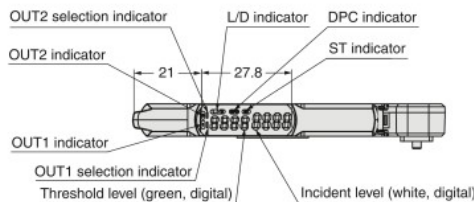


With Mounting Bracket Attached



Amplifier Unit with Connector for Sensor Communications Unit

E3NX-FA0/FAH0



Mounted to DIN Track

