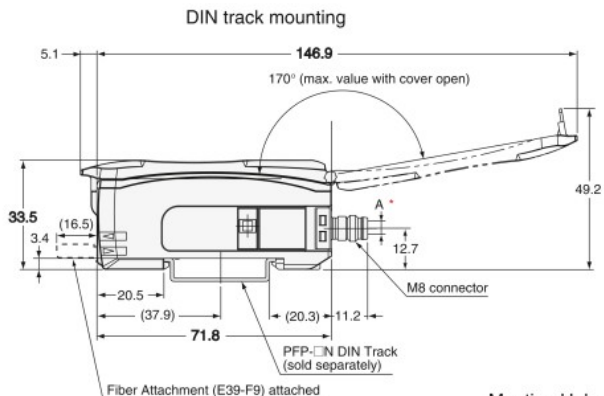
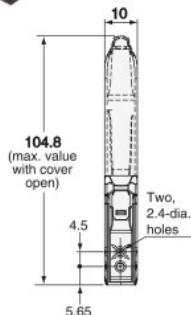
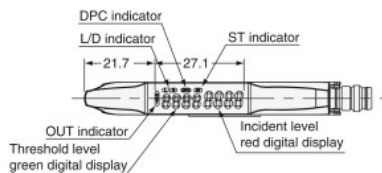


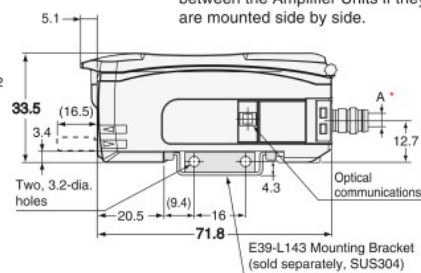
Amplifier Units with M8 Connectors

E3X-HD14
E3X-HD44

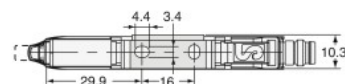


With Mounting Bracket Attached

Note: When using E39-L143 Mounting Brackets, there will be small gaps between the Amplifier Units if they are mounted side by side.



Mounting Holes

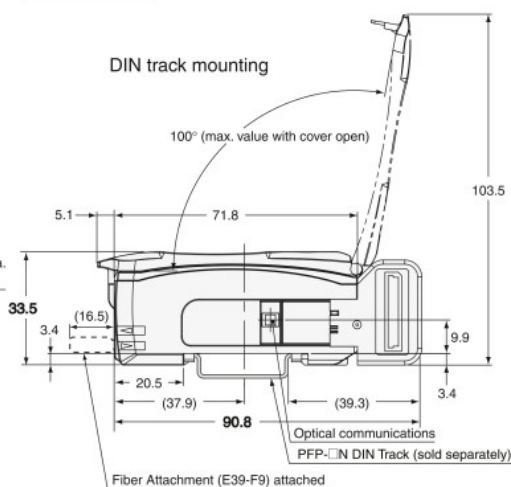
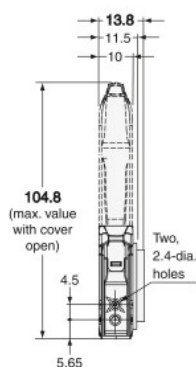
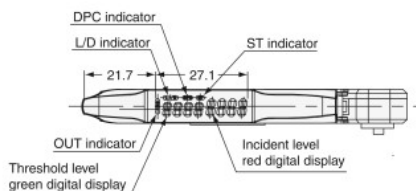


* The cable diameters are as follows:

E3X-CN11 (3 conductors)	4.0 dia.
E3X-CN12 (1 conductor)	2.6 dia.

Amplifier Unit with Connector for Sensor Communications Unit

E3X-HD0



Refer to E32 Series for details on Fiber Units.