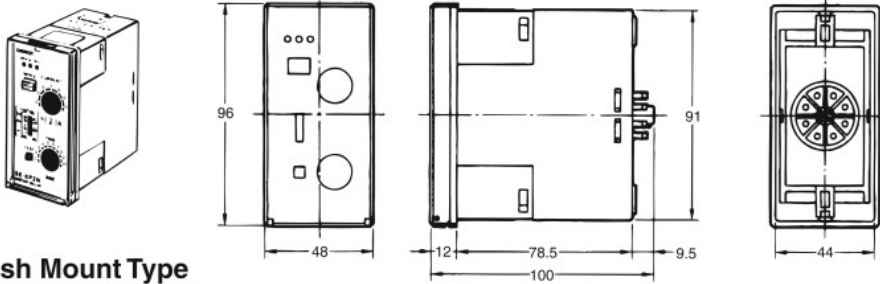


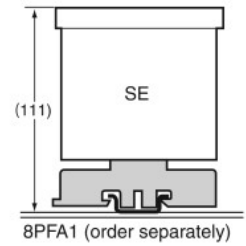
Dimensions

Note: All units are in millimeters unless otherwise indicated.

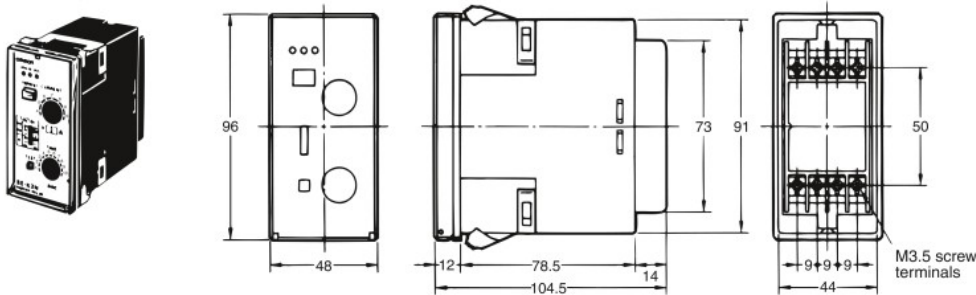
Plug-in Socket Terminal SE-KP□N, SE-KQP□N



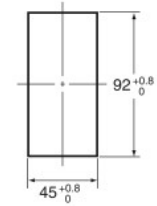
The Height of DIN Rail Mounting



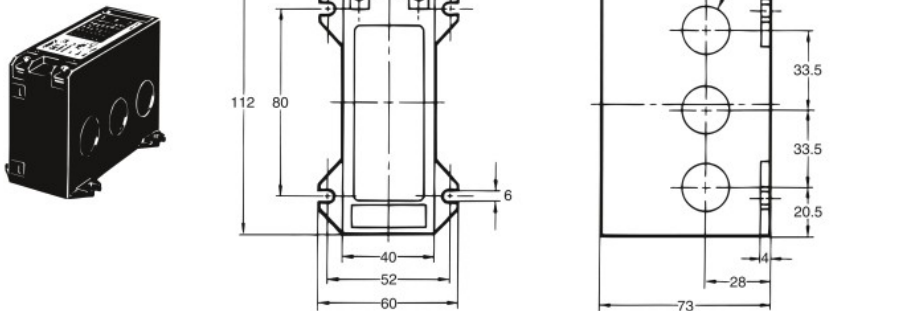
Flush Mount Type SE-K□N, SE-KQ□N



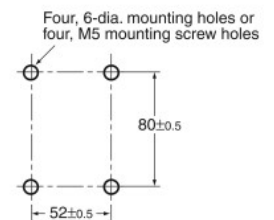
Panel Cutout



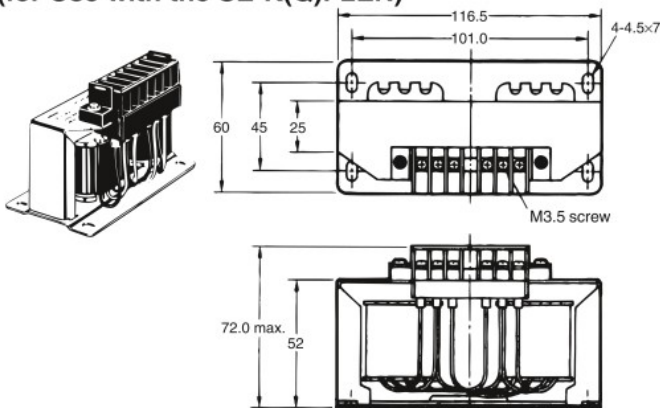
Current Converter SET-3A, SET-3B



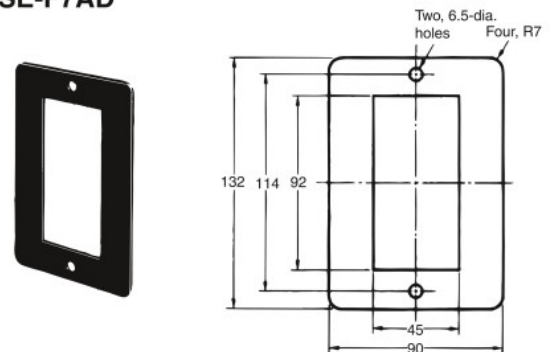
Mounting Holes



Transformer SE-PT400 (for Use with the SE-K(Q)P2EN)



Optional Adapter SE-F7AD



Note: The SE-PT400 can be used for all 200/220/240-VAC SE Relays.
Primary voltage: 380 to 480 VAC
Secondary voltage: 190 to 240 VAC

Note: This Adapter is used to replace existing flush mount models with new models.
Plate material: Steel plate (thickness: 2.0 mm)
Color: Black (Munsell N1.5)