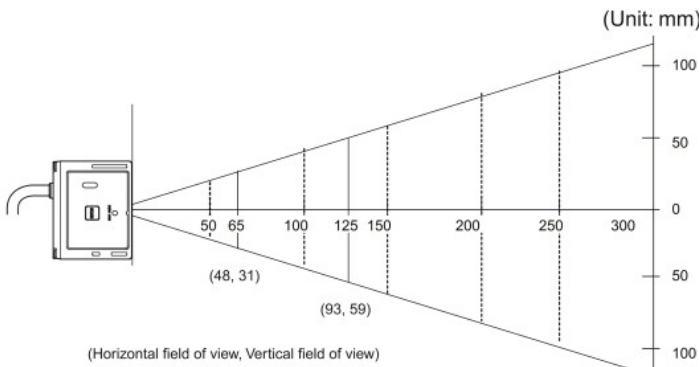
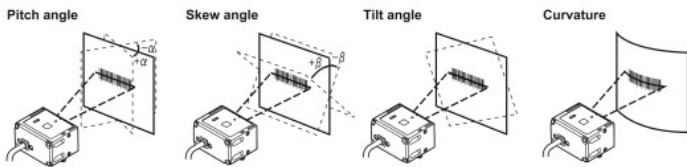


# Reading range performance (typical example)



- Explained with examples of following conditions:
- Contrast: MRD 63% (PCS = 0.9)
  - Installation condition:  
Pitch angle  $\alpha = 0^\circ$ , skew angle  $\beta = 15^\circ$   
Tilt angle  $\gamma = 0^\circ$ , curvature  $R = \infty$
  - Reading rate: 90% or more in 10 tries



## V400-R2CF125 2D code (typical example)

Code types	Resolution	Reading distance	Field-of-view size at reading distance
QR Code	0.212	95 to 115	70×44 to 85×54
	0.381	60 to 185	44×28 to 137×87
Data Matrix	0.254	80 to 145	59×38 to 107×68
PDF417	0.169	85 to 130	63×40 to 96×61
	0.254	65 to 180	48×30 to 133×85

## Bar code (typical example)

Code types	Resolution	Reading distance	Field-of-view size at reading distance
Code39	0.127	90 to 125	66×42 to 93×59
	0.254	70 to 190	52×33 to 141×89
	0.508	65 to 235	48×30 to 174×110
Code128	0.2	80 to 160	59×38 to 118×75
UPC	0.33	55 to 185	40×25 to 137×87

## V400-R2CF65 2D code (typical example)

Code types	Resolution	Reading distance	Field-of-view size at reading distance
QR Code	0.169	70 to 80	51×33 to 59×38
	0.381	45 to 110	33×21 to 81×52
Data Matrix	0.212	65 to 90	48×31 to 66×42
PDF417	0.127	65 to 80	48×31 to 59×38
	0.254	65 to 110	48×31 to 81×52

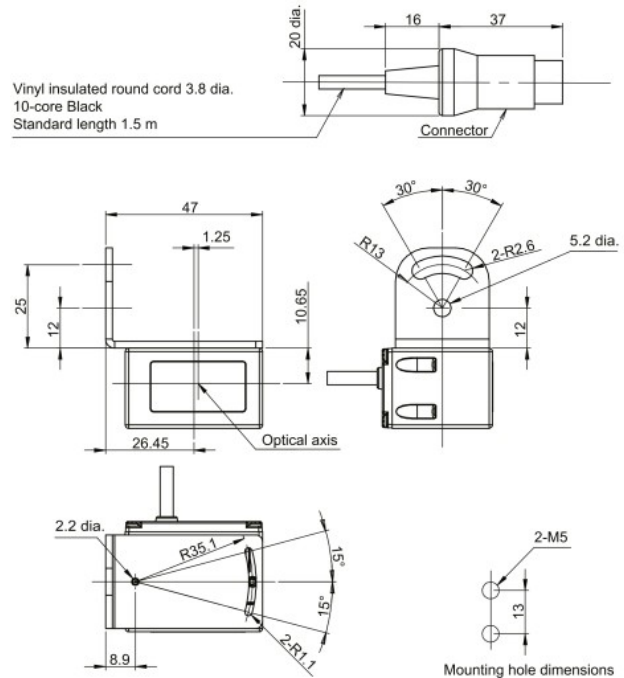
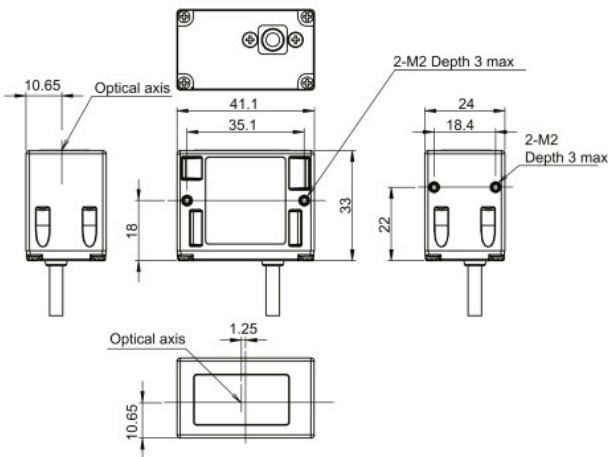
## Bar code (typical example)

Code types	Resolution	Reading distance	Field-of-view size at reading distance
Code39	0.127	65 to 85	48×31 to 62×40
	0.254	60 to 110	44×28 to 81×52
Code128	0.18	55 to 100	40×26 to 74×47
UPC	0.33	60 to 125	44×28 to 92×58

# Dimensions

(Unit: mm)

## Multi Code Reader V400-R2CF65/R2CF125



# Related Manuals

Man.No.	Model number	Manual
Z333	V400-R2	Multi Code Reader V400-R2 Series User's Manual