

Reamers

Endmills

Drills

Countersinks/
Counterbores

Slitting Saws/
Cut-off tools

Cutters

Cold Circular
Saws

High Power
Slitting Saws

Metal Slitting
Saws

Screw Slotting
Cutters

MMS

強力型メタルソー 無処理品
High Power Metal Slitting Saws Non-coated

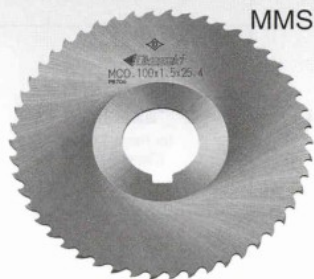
HMMS

強力型メタルソー ホモ処理品
High Power Metal Slitting Saws Homo Treatment

品番例 Example of product number	MMS 150X020 製品略号 Product code	-P03 寸法コード Size code	ピッチ Pitch
	MMS=無処理品 Non-coated	表示なし=丸刃品 Pitch sign none=teethless	P□=ピッチ口品 P□=with tooth pitch

技術資料
Technical
Data

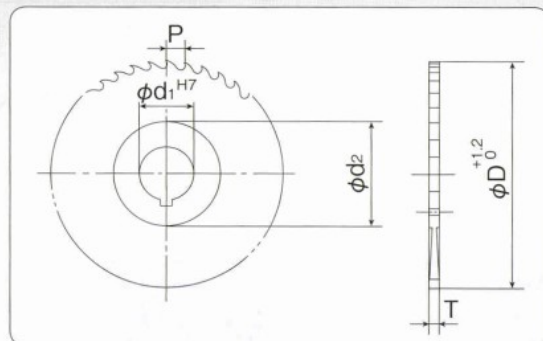
P146
P147



MMS



HMMS



P-6と丸刃品は標準在庫品
その他のピッチは短納期にて刃切対応します。

● 溝入れ、切断加工に最適
Ideal for slitting and cutting work

MMS 無処理品 Non-coated		HMMS ホモ処理品 Homo Treatment		寸法 Size						丸刃品 標準価格 Teethless Price (¥)	
品番 Product No.	標準価格 Price (¥)	品番 Product No.	標準価格 Price (¥)	刃径 D	厚み T	穴径 d1	ボス径 d2	刃数 NT	刃型 Shape	MMS 無処理品	HMMS ホモ処理品
MMS075X010-P06	5,100	HMMS075X010-P06	5,700	75	1.0	25.4	35	40	W	4,700	5,100
MMS075X011-P06	5,200	HMMS075X011-P06	5,800	75	1.1	25.4	35	40	W	4,800	5,200
MMS075X012-P06	5,200	HMMS075X012-P06	5,800	75	1.2	25.4	35	40		4,800	5,200
MMS075X013-P06	5,200	HMMS075X013-P06	5,800	75	1.3	25.4	35	40		4,800	5,200
MMS075X014-P06	5,200	HMMS075X014-P06	5,800	75	1.4	25.4	35	40		4,800	5,200
MMS075X015-P06	5,200	HMMS075X015-P06	5,800	75	1.5	25.4	35	40	BW	4,800	5,200
MMS075X016-P06	5,300	HMMS075X016-P06	5,900	75	1.6	25.4	35	40	BW	4,800	5,300
MMS075X017-P06	5,300	HMMS075X017-P06	5,900	75	1.7	25.4	35	40		4,800	5,300
MMS075X018-P06	5,300	HMMS075X018-P06	5,900	75	1.8	25.4	35	40		4,800	5,300
MMS075X019-P06	5,300	HMMS075X019-P06	5,900	75	1.9	25.4	35	40	BW	4,800	5,300
MMS075X020-P06	5,300	HMMS075X020-P06	5,900	75	2.0	25.4	35	40		4,800	5,300
MMS075X021-P06	6,100	HMMS075X021-P06	6,600	75	2.1	25.4	35	40		5,400	6,000
MMS075X022-P06	6,100	HMMS075X022-P06	6,600	75	2.2	25.4	35	40		5,400	6,000
MMS075X023-P06	6,100	HMMS075X023-P06	6,600	75	2.3	25.4	35	40	BW	5,400	6,000
MMS075X024-P06	6,100	HMMS075X024-P06	6,600	75	2.4	25.4	35	40		5,400	6,000
MMS075X025-P06	6,100	HMMS075X025-P06	6,600	75	2.5	25.4	35	40	BW	5,400	6,000
MMS075X026-P06	6,400	HMMS075X026-P06	7,000	75	2.6	25.4	35	40	BW	5,800	6,300
MMS075X027-P06	6,400	HMMS075X027-P06	7,000	75	2.7	25.4	35	40		5,800	6,300
MMS075X028-P06	6,400	HMMS075X028-P06	7,000	75	2.8	25.4	35	40		5,800	6,300
MMS075X029-P06	6,400	HMMS075X029-P06	7,000	75	2.9	25.4	35	40	BW	5,800	6,300
MMS075X030-P06	6,400	HMMS075X030-P06	7,000	75	3.0	25.4	35	40		5,800	6,300
MMS100X010-P06	8,400	HMMS100X010-P06	9,300	100	1.0	25.4	45	50	W	7,600	8,400
MMS100X011-P06	8,600	HMMS100X011-P06	9,400	100	1.1	25.4	45	50	W	7,700	8,500
MMS100X012-P06	8,600	HMMS100X012-P06	9,400	100	1.2	25.4	45	50		7,700	8,500
MMS100X013-P06	8,600	HMMS100X013-P06	9,400	100	1.3	25.4	45	50		7,700	8,500
MMS100X014-P06	8,600	HMMS100X014-P06	9,400	100	1.4	25.4	45	50		7,700	8,500
MMS100X015-P06	8,600	HMMS100X015-P06	9,400	100	1.5	25.4	45	50	BW	7,700	8,500
MMS100X016-P06	8,600	HMMS100X016-P06	9,400	100	1.6	25.4	45	50	BW	7,700	8,500
MMS100X017-P06	8,600	HMMS100X017-P06	9,400	100	1.7	25.4	45	50		7,700	8,500
MMS100X018-P06	8,600	HMMS100X018-P06	9,400	100	1.8	25.4	45	50		7,700	8,500
MMS100X019-P06	8,600	HMMS100X019-P06	9,400	100	1.9	25.4	45	50		7,700	8,500