

ELECTRONIC DIGITAL THREE-POINT INTERNAL MICROMETERS

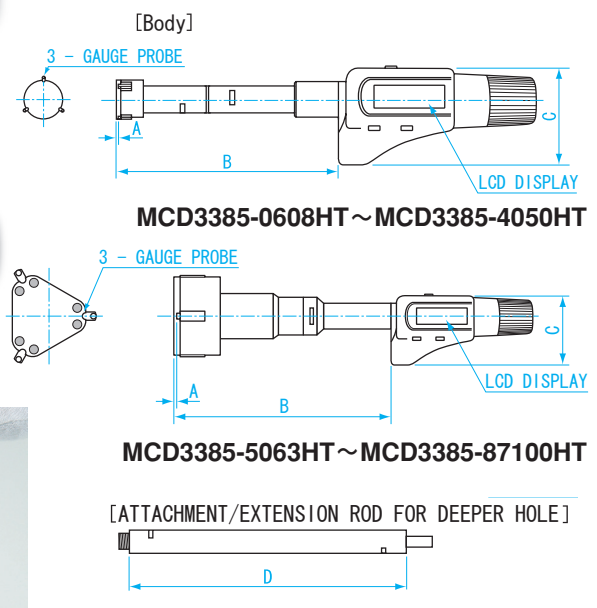


MCD3385-1216HT

MCD3385-7588HT



DIMENSIONS



MCD3385-0608HT ~ MCD3385-4050HT

MCD3385-5063HT ~ MCD3385-87100HT

Units: mm

Model No.	A	B	C	D
MCD3385-0608HT	less than 2	85	43	100
MCD3385-0810HT	less than 2	85	43	100
MCD3385-1012HT	less than 2	85	43	100
MCD3385-1216HT	less than 1	100	43	150
MCD3385-1620HT	less than 1	100	43	150
MCD3385-2025HT	less than 1	105	43	150
MCD3385-2530HT	less than 1	105	43	150
MCD3385-3040HT	less than 1	110	43	150
MCD3385-4050HT	less than 1	110	43	150
MCD3385-5063HT	less than 1	127	43	150
MCD3385-6275HT	less than 1	127	43	150
MCD3385-7588HT	less than 1	127	43	150
MCD3385-87100HT	less than 1	127	43	150

USE

- Measurement of internal diameter

FEATURES

- Self-centering, three-points for accurate measurement of internal diameters. Measurement can be taken closer to the bottom of the blind bore, and can be taken into a deep hole with an extension rod
- Carbide tipped contact points
- Quick display of the measured value
- With ratchet stop
- Includes a setting ring
- Auto display off function(after 5 min.)
- One SR44 (Silver oxide) battery included for testing
- High carbon chrome steel

Order No.	Model No.	Measuring Range (mm)	Resolution (mm)	Maximum Error* (μm)	Weight
152221	MCD3385-0608HT	6 - 8	0.001	4	180g
152222	MCD3385-0810HT	8 - 10	0.001	4	180g
152223	MCD3385-1012HT	10 - 12	0.001	4	180g
152224	MCD3385-1216HT	12 - 16	0.001	4	230g
152225	MCD3385-1620HT	16 - 20	0.001	4	230g
152226	MCD3385-2025HT	20 - 25	0.001	4	300g
152227	MCD3385-2530HT	25 - 30	0.001	4	320g
152228	MCD3385-3040HT	30 - 40	0.001	4	420g
152229	MCD3385-4050HT	40 - 50	0.001	5	510g
152230	MCD3385-5063HT	50 - 63	0.001	5	710g
152231	MCD3385-6275HT	62 - 75	0.001	5	720g
152232	MCD3385-7588HT	75 - 88	0.001	5	990g
152233	MCD3385-87100HT	87 - 100	0.001	5	1010g

* Three-point micrometer is precision instrument. For best performance, temperature should be around 20°C with sufficient time to acclimate. Extreme temperatures may affect accuracy and performance of measurement instruments
 ※ Quantization Error (± 1 digit) not included