

Unit: mm

### Specification 2

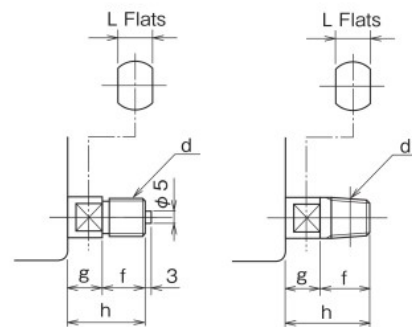
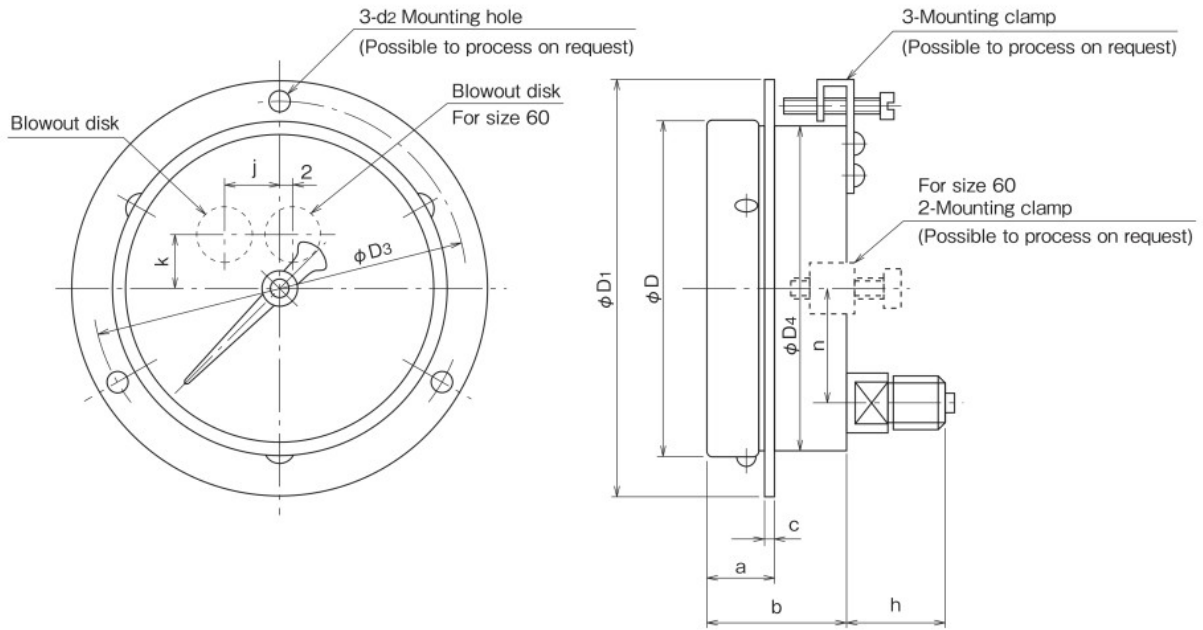
Shape / Dimensions:

Back connection

Type D...Panel mounting by screw or clamp.

Weight:

Size	Weight
60	Approx. 200g
75	Approx. 400g
100	Approx. 600g
150	Approx. 900g
200	Approx. 1200g



DUG□□B

DUR□□

Size	Panel out size	Shape / Connection	Case / Dimensions														Model number	
			d	D	D <sub>1</sub>	D <sub>3</sub>	D <sub>4</sub>	a	b	c	d <sub>2</sub>	n	j	k	f	g		L
60	65	U G1/4B, R1/4	65	80	72	64	14	32	2	4.5	20	—	8	16	10	12	28	AA15-□□□
75	78	U G1/4B, R1/4	78	98	88	77	18.5	40 (49)	2	4.5	25	15	10	16	10	12	28	AC15-□□□
		U G3/8B, R3/8												18	12	14	30	
100	103	U G3/8B, R3/8	103	128	115	102	21	45 (52)	2.5	5.5	35	20	10	18	12	14	30	AE15-□□□
		U G1/2B, R1/2, 1/2NPT												20	12	17	32	
150	154	U G3/8B, R3/8	153	178	165	152	24	50 (61)	2.5	5.5	55	20	10	18	12	14	30	AG15-□□□
		U G1/2B, R1/2, 1/2NPT												20	12	17	32	
200	205	U G1/2B, R1/2	204	235	220	203	18.5	50 (61.5)	3	5.5	55	20	10	20	12	17	32	AJ15-□□□

\*( ) is 0.09MPa and under.