



No.E-130

JIS Type Cast Iron Surface Plates

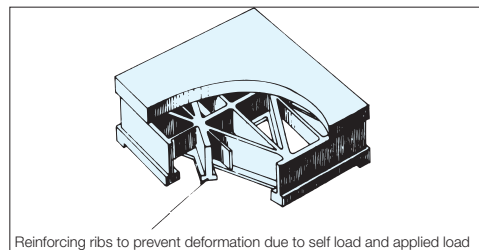
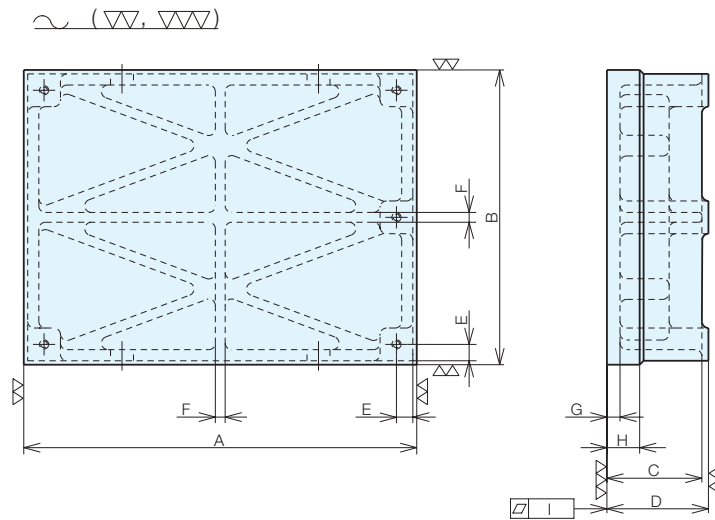
Material FC250 **Structure** Rib structure

Heat Treatment Annealing **Used Surface** Hand scraped finish

Painting Position Side face

Accessories Adjustment screws (except large surface plates)

- Precision and rigidity conform to JIS standards (JIS B7513).
- The used surface has low linking (adsorption), offering smooth handling of precision instruments.
- Offers excellent additional machinability, making it easy to repair scratches, etc.
- The level of the surface plate can be adjusted using the included adjustment screws.
- The level of large surface plates can be adjusted using leveling blocks.



Base Elements

Clamp Units

Clamping Parts

Machine Vises

Drilling Vises

Vibration
IsolationSurface Plates and
Measurement Instruments

Index