



RoHS Compliant

ERON®

No.E-918

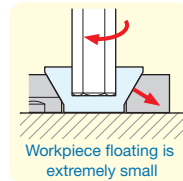
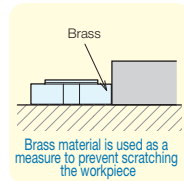
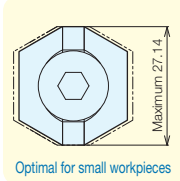
Low Wedge Clamps

Part name	Material	Heat Treatment	Surface Treatment
Main body (metal part)	C3604BD	-	-
Main body (rubber part)	NBR	-	-
Clamping bolt	SCM435	HRC25 heat treatment	Blackened
Washers*	SCM435	HRC43 heat treatment	-

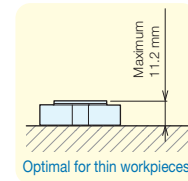
* Double-sided type only

Accessories Knock pin $\phi 3h7x6$... 1 piece

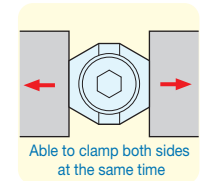
Single-sided type/Double-sided type



Single-sided type only



Double-sided type only



Specifications



Base Elements

Clamp Units



Clamping Parts

Machine Vises

Drilling Vises

Vibration Isolation

Surface Plates and Measurement Instruments

Index

Single-sided type

Order No.	No.	Screw Thread (Coarse Thread)	Maximum Clamp Height	Clamp Stroke	Maximum Torque N·m	Maximum Clamping Force kN	Weight kg		
76031	LWC-04	M4 × 0.7	3.9	0.4	1.6	0.9	1.4		
76032	LWC-06	M6 × 1.0	5.5	0.7	5.0	1.9	8.4		
76033	LWC-08	M8 × 1.25	6.0	1.0	13.0	4.3	16.0		
76034	LWC-12	M12 × 1.75	11.2	1.2	40.0	7.1	48.0		

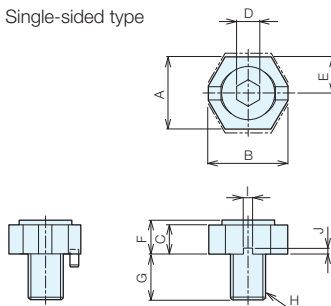
Double-sided type

Order No.	No.	Screw Thread (Coarse Thread)	Maximum Clamp Height	Clamp Stroke	Maximum Torque N·m	Maximum Clamping Force kN	Weight kg		
76035	LWCD-04	M4 × 0.7	6.7	0.4	1.6	0.9	1.3		
76036	LWCD-06	M6 × 1.0	10.6	0.7	5.0	1.9	8.4		
76037	LWCD-08	M8 × 1.25	13.1	1.0	13.0	4.3	16.0		
76038	LWCD-12	M12 × 1.75	22.0	1.2	40.0	7.1	46.0		

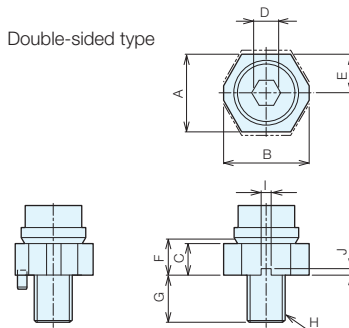
* The clamp stroke and maximum clamping force are the values for one side.

External Dimensions

Single-sided type



Double-sided type



Single-sided type

No.	A	B	C	D	E	F (Max)	G	H (Coarse Thread)	I	J
LWC-04	9.2	10.2	3	2.5	4.6 - 5.0	3.9	6	M4 × 0.7	-	-
LWC-06	15.6	17.3	5	4	7.8 - 8.5	5.5	10	M6 × 1.0	3.2	2
LWC-08	20	21.94	5	5	10.0 - 11.0	6	13	M8 × 1.25	3.2	2
LWC-12	24.6	27.14	10	8	12.3 - 13.5	11.2	18	M12 × 1.75	3.2	2

Double-sided type

No.	A	B	C	D	E	F (Max)	G	H (Coarse Thread)	I	J
LWCD-04	9.2 - 10	10.2	3	2	4.6 - 5.0	6.7	7	M4 × 0.7	-	-
LWCD-06	15.6 - 17	17.3	5	3	7.8 - 8.5	10.6	11	M6 × 1.0	3.2	2
LWCD-08	20 - 22	21.94	5	4	10.0 - 11.0	13.1	14	M8 × 1.25	3.2	2
LWCD-12	24.6 - 27	27.14	10	6	12.3 - 13.5	22	17	M12 × 1.75	3.2	2