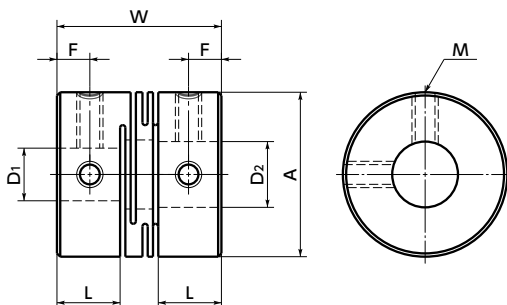


MWS/MWSS Flexible coupling - Slit - type - Set screw type

[WEB Selection Tool](#)
[WEB CAD Download](#)
[Zero Backlash](#)
[SUS Stainless steel](#)

MWS Made of aluminum alloy

MWSS Made of all stainless steel



Dimensions

Unit : mm

Part Number ¹	A	L	W	F	M	Screw Tightening Torque (N·m)	Standard Bore Diameter (dimensional allowance H8) D1-D2 ²							
MWS-8	8	3.4	10	1.7	M2	0.3	2 - 2	3 - 3						
MWS-12	12	5.2	14	2.5	M2.5	0.5	4 - 4	4 - 5	4.5 - 5	5 - 5				
MWS-16	16	6.8	18	3	M3	0.7	4.5 - 5	5 - 5	5 - 6	6 - 6				
MWS-20	20	7.65	20	3	M3	0.7	5 - 6	5 - 8	6 - 6	6 - 8	8 - 8			
MWS-25	25	9.6	25	4	M4	1.7	5 - 6	6 - 6	6 - 8	8 - 8	8 - 10	10 - 10		
MWS-32	32	12.6	32	6	M4	1.7	8 - 8	8 - 10	10 - 10	10 - 12	12 - 12	12 - 14		
MWSS-8	8	3.4	10	1.7	M2	0.3	2 - 2	3 - 3						
MWSS-12	12	5.2	14	2.5	M2.5	0.5	4 - 4	4 - 5	4.5 - 5	5 - 5				
MWSS-16	16	6.8	18	3	M3	0.7	5 - 5	5 - 6	6 - 6					
MWSS-20	20	7.65	20	3	M3	0.7	5 - 6	5 - 8	6 - 6	6 - 8	8 - 8			
MWSS-25	25	9.6	25	4	M4	1.7	5 - 6	6 - 6	6 - 8	8 - 8	8 - 10	10 - 10		
MWSS-32	32	12.6	32	6	M4	1.7	8 - 8	8 - 10	10 - 10	10 - 12	12 - 12	12 - 14		

- All products are provided with hex socket set screw.
- In a case where the bore diameter is $\phi 4$ or less, the set screw is used in only one place.
- Recommended dimensional allowances of applicable shaft diameter are h6 and h7.

[Additional Keyway at Shaft Hole](#) → P.788

Available / Add'l charge

[Cleanroom Wash & Packaging](#) → P.792

Available / Add'l charge

[SUS Change to Stainless Steel Screw](#) → P.790

Available / Add'l charge