

# HSM Stainless Steel Handwheel *Recommendation*



WEB Selection  
Tool

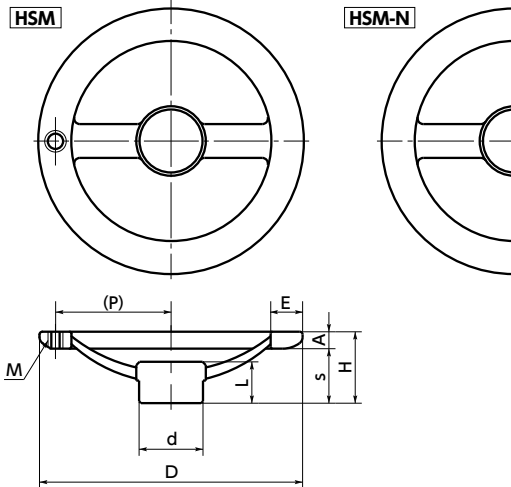
WEB CAD  
Download

SUS

Stainless steel



Shaft bore process required



- Standard model with a stainless steel handwheel
- With / without grip mounting hole can be selected by the end symbol of the part number.

**HSM** — With grip mounting hole

**HSM-N** — Without grip mounting hole

- No grip is supplied with this product. Please separately order a grip. P.395 List of grips

- Material/Finish

RoHS Compliant

	HSM
Main body	SCS13 (Equivalent to SUS304)

Unit : mm

Part Number With grip mounting holes	M	P	Part Number Without grip mounting holes	D	H	A	s	d	L	E	Number of spokes	Mass (g)
<b>HSM-80</b>	M5	33	<b>HSM-80-N</b>	80	28	8	20	26	17	12	2	260
<b>HSM-100</b>	M5	43	<b>HSM-100-N</b>	100	30	8	22	26	18	13	2	320
<b>HSM-125</b>	M6	54	<b>HSM-125-N</b>	125	34	8	26	32	20	15	2	500
<b>HSM-160</b>	M8	71	<b>HSM-160-N</b>	160	42	10	32	36	24	18	2	900
<b>HSM-200</b>	M10	90	<b>HSM-200-N</b>	200	42	11	31	42	24	19	2	1300
<b>HSM-250</b>	M10	113	<b>HSM-250-N</b>	250	53	13	40	50	34	20	3	2400

- Recommended applicable grip

Part Number	Recommended applicable grip	
	GSS  P.418	GNTRS  P.410
<b>HSM-80</b>	GSS-5	GNTRS-18 - M5
<b>HSM-100</b>	GSS-5	GNTRS-18 - M5
<b>HSM-125</b>	GSS-6	GNTRS-19 - M6
<b>HSM-160</b>	GSS-8	GNTRS-24 - M8
<b>HSM-200</b>	GSS-10	GNTRS-28 - M10
<b>HSM-250</b>	GSS-10	GNTRS-28 - M10

- Part number specification

**HSM-80-N**

Product Code

Cleanroom Wash & Packaging P.792

Vibration Resistant P.795

Laser Marking P.806

Modification of Shaft Hole Diameter P.800

Available / Add'l charge

Not Available

Available / Add'l charge

Available / Add'l charge