

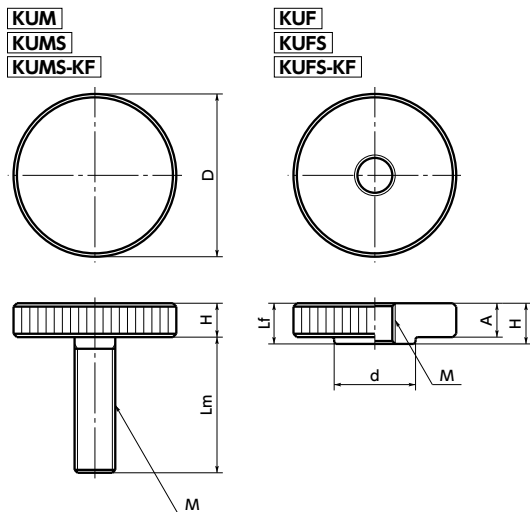
KUM / KUMS / KUF / KUFS

Knurled Knob *Recommendation*

WEB Selection
Tool

WEB CAD
Download

SUS Stainless steel



- **KUM** has a round-shaped thread tip to be distinguished from **KUMS** / **KUMS-KF**.

- Flat type knurled knob.
- A rich variety of thread sizes from M3 to M10 are available.
- There are two types of materials.
 - KUM** / **KUF** — Made of steel
 - KUMS** / **KUFS** — Made of Stainless Steel
- **KUMS-KF** / **KUFS-KF** is antibacterial type. It is highly antibacterial, mold-proof and algae-proof. About antibacterial treatment. → P.266
- Materials and types can be selected by a product code.

Product Code	Material	Type
KUM	Made of Steel	Male Screw
KUF	Made of Steel	Female Screw
KUMS	Made of Stainless Steel	Male Screw
KUFS	Made of Stainless Steel	Female Screw
KUMS-KF	Made of Stainless Steel	Male Screw / Antibacterial Type
KUFS-KF	Made of Stainless Steel	Female Screw / Antibacterial Type

Material/Finish

RoHS Compliant

	KUM	KUF	KUMS / KUFS	KUMS-KF / KUFS-KF
Main body	SWCH10R Buffing / Chrome Plating	SUM22L Buffing / Chrome Plating	SUS303* Hairline Finish	SUS303 Hairline Finish Antibacterial

*For **KUMS-36-M10**, it is SUS304.

Dimensions

KUM / **KUMS** / **KUMS-KF** Male Screw

Unit : mm

Part Number Steel	Part Number Stainless steel	Part Number Stainless steel / antibacterial treatment type	D	M (coarse)	H	Mass (g)
KUM-12-M3	KUMS-12-M3	KUMS-12-M3-KF	12	M3	2.5	2 - 4
KUM-16-M4	KUMS-16-M4	KUMS-16-M4-KF	16	M4	3.5	5 - 7
KUM-20-M5	KUMS-20-M5	KUMS-20-M5-KF	20	M5	4	12 - 13
KUM-24-M6	KUMS-24-M6	KUMS-24-M6-KF	24	M6	5	20 - 25
KUM-30-M8	KUMS-30-M8		30	M8	6	40 - 46
KUM-36-M10	KUMS-36-M10		36	M10	8	78 - 90

KUF / **KUFS** / **KUFS-KF** Female Screw

Unit : mm

Part Number Steel	Part Number Stainless steel	Part Number Stainless steel / antibacterial treatment type	D	M (coarse)	Lf	A	d	H	Mass (g)
KUF-12-M3	KUFS-12-M3	KUFS-12-M3-KF	12	M3	3	2.5	6	3	2
KUF-16-M4	KUFS-16-M4	KUFS-16-M4-KF	16	M4	4	3.5	8	4	5
KUF-20-M5	KUFS-20-M5	KUFS-20-M5-KF	20	M5	5	4	10	5	10
KUF-24-M6	KUFS-24-M6	KUFS-24-M6-KF	24	M6	6	5	12	6	18
KUF-30-M8	KUFS-30-M8	KUFS-30-M8-KF	30	M8	8	6	16	8	34
KUF-36-M10	KUFS-36-M10		36	M10	10	8	20	10	64

Cleanroom Wash & Packaging → P.792 | Screw Combination → P.798 | Screw Length Adjustment → P.796 | Vibration Resistant → P.795 | Laser Marking → P.806
 S.S. only/ Add'l charge | Not Available | Male screw only/ Add'l charge | Male screw only/ Add'l charge | S.S. only/ Add'l charge