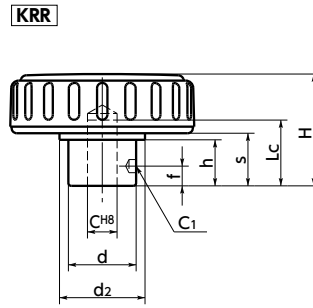
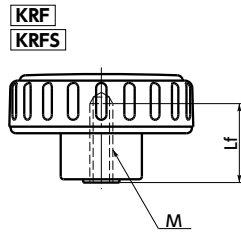
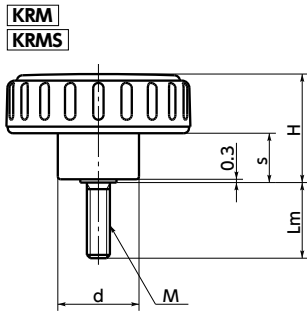
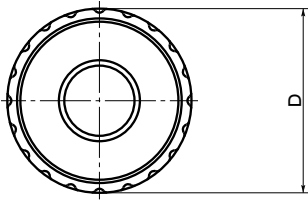


# KRM / KRMS / KRF / KRFS / KRR Dimple Knob *Recommendation*

WEB Selection Tool    WEB CAD Download    SUS Stainless steel



## KRM | KRMS Male Screw

Unit : mm

Part Number Steel	Part Number Stainless steel	D	M (Coarse)	Lm	H	s	d	Mass (g)
KRM-25-M4-6		25	M4	6	19	8	13	6
KRM-25-M4-10		25	M4	10	19	8	13	7
KRM-25-M4-16		25	M4	16	19	8	13	7
KRM-32-M5-10	KRMS-32-M5-10	32	M5	10	22	10	15	11
KRM-32-M5-16	KRMS-32-M5-16	32	M5	16	22	10	15	12
KRM-32-M5-20	KRMS-32-M5-20	32	M5	20	22	10	15	12
KRM-32-M6-10		32	M6	10	22	10	15	12
KRM-32-M6-20		32	M6	20	22	10	15	14
KRM-32-M6-40		32	M6	40	22	10	15	19
KRM-40-M6-10	KRMS-40-M6-10	40	M6	10	25	11	17	16
KRM-40-M6-16	KRMS-40-M6-16	40	M6	16	25	11	17	18
KRM-40-M6-20	KRMS-40-M6-20	40	M6	20	25	11	17	18
KRM-40-M6-25	KRMS-40-M6-25	40	M6	25	25	11	17	19
KRM-40-M8-16		40	M8	16	25	11	17	23
KRM-40-M8-20		40	M8	20	25	11	17	25
KRM-50-M8-16	KRMS-50-M8-16	50	M8	16	30	13.5	20	29
KRM-50-M8-20	KRMS-50-M8-20	50	M8	20	30	13.5	20	31
KRM-50-M8-25	KRMS-50-M8-25	50	M8	25	30	13.5	20	33
KRM-50-M8-30	KRMS-50-M8-30	50	M8	30	30	13.5	20	35
KRM-50-M8-50		50	M8	50	30	13.5	20	43
KRM-50-M10-20		50	M10	20	30	13.5	20	40
KRM-50-M10-30		50	M10	30	30	13.5	20	46
KRM-63-M10-20		63	M10	20	35	15	23	55
KRM-63-M10-30	KRMS-63-M10-30	63	M10	30	35	15	23	61
KRM-63-M10-50	KRMS-63-M10-50	63	M10	50	35	15	23	73

Cleanroom Wash & Packaging → P.792   
 Screw Combination → P.798   
 Screw Length Adjustment → P.796   
 Vibration Resistant → P.795   
 Laser Marking → P.806  
 S.S. only/ Add'l charge    Female screw only/ Add'l charge    Male screw only/ Add'l charge    Male screw only/ Add'l charge    Available / Add'l charge