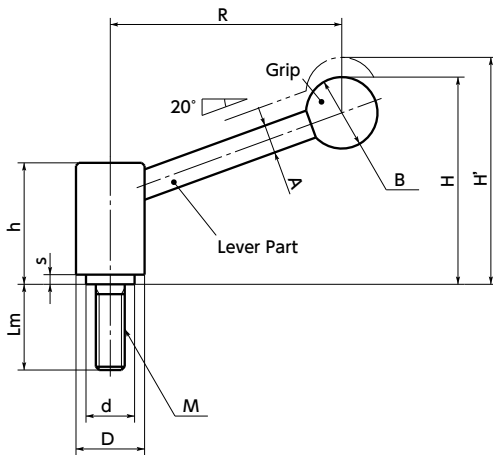


LTM Tension Lever, Male Screw



WEB Selection Tool WEB CAD Download



- A strong type clamping lever.
- Products of special specifications such as rotating radius of the lever can also be manufactured. Please feel free to contact our customer service.

Material/Finish

RoHS Compliant

	LTM
Lever Part	S45C Ferrosferric Oxide Film (Black)
Thread Part	S45C Ferrosferric Oxide Film (Black)
Grip	Phenol Resin (Black)

Dimensions

Unit : mm

Part Number	M (Coarse)	R	H	H'	h	s	A	B	D	d	Number of Teeth	Max. load*1 (N)	Max. clamping*1 force (kN)	Mass (g)
LTM-10	M10	81	72.5	78	42.5	2.5	10	25	24	17	24	280	16	195 - 210
LTM-12	M12	99	85.5	92	49.5	3.5	11	25	28	20	26	400	23	300 - 320
LTM-16	M16	118	98.5	106	55.5	3.5	12	30	33	24	36	830	43	490 - 535
LTM-20	M20	136	114.5	123	65.5	4.5	14	35	41	30	36	1400	67	880 - 975

*1 About the definition of max. load / max. clamping force → P.270

Part Number	Lm (mm)				
	30	40	50	60	80
LTM-10	●	●	●		
LTM-12	●	●	●	●	
LTM-16	●	●	●	●	
LTM-20		●		●	●

Related Products

Female screw type tension lever

LTF is available.

→ P.287



- Part number specification

LTM-10-40

1 2

Select a 2 thread length Lm from the dimension table.

Cleanroom Wash & Packaging → P.792	Screw Combination → P.798	Screw Length Adjustment → P.796	Vibration Resistant → P.795	Laser Marking → P.806
Not Available	Not Available	Not Available	Not Available	Available / Add'l charge