

3 bellows pad / PCG

How to order

PCG - ^①5 - ^②N

① Pad diameter (mm)

5	φ5	20	φ20
7	φ7	30	φ30
10	φ10	40	φ40
15	φ15	60	φ60
18	φ18	90	φ90

② Pad rubber material

N	NBR(Nitrile rubber)
S	Silicone rubber

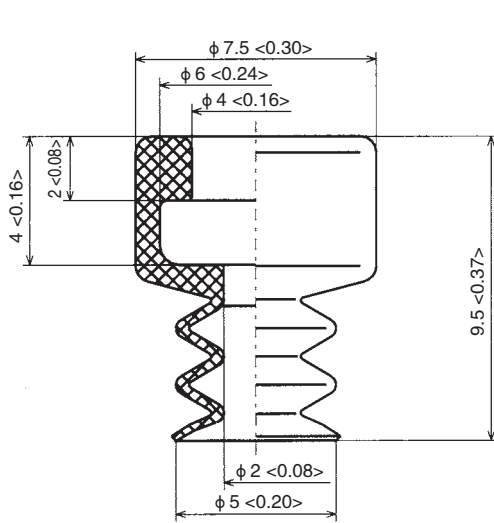
Note) Please consult with us for other material.

Pad standard specifications

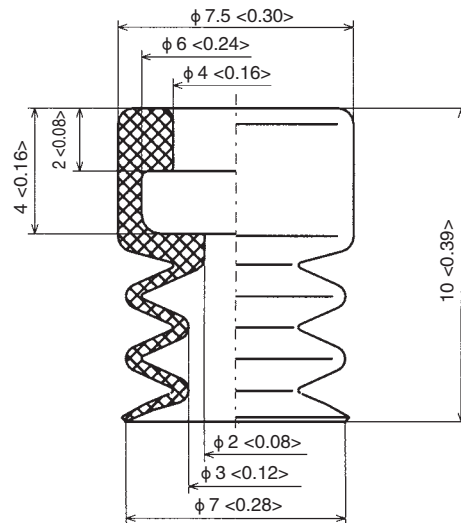
Symbol	Material	Hardness(Hs)	Ambient temperature	Color
N	NBR(Nitrile rubber)	A55/S	-26 ~ 120°C	Black
S	Silicone rubber	A55/S	-60 ~ 250°C	White

Dimensions

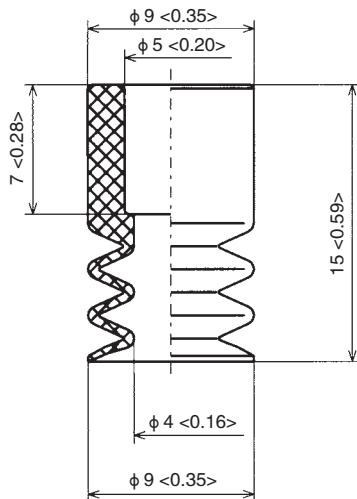
Unit : mm <inch>



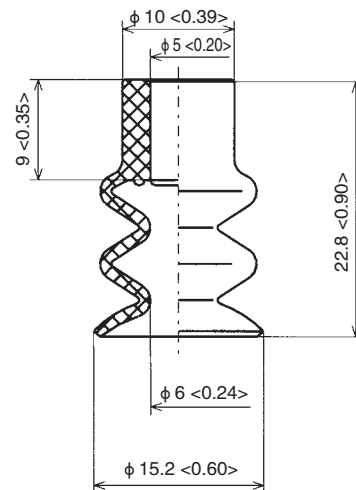
PCG-5



PCG-7



PCG-10



PCG-15