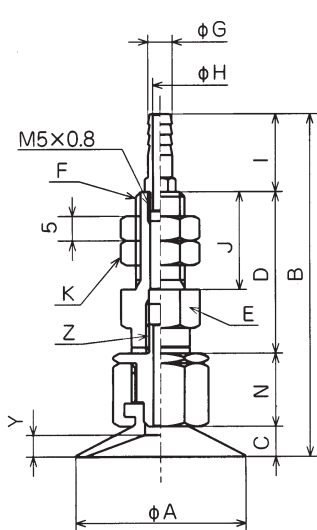


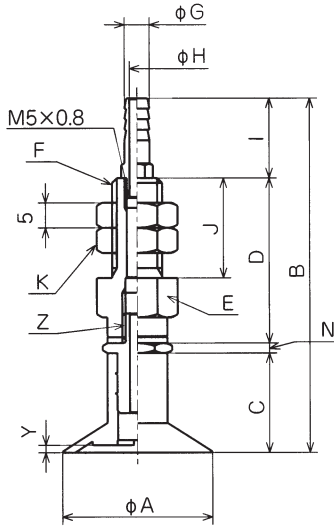
外形寸法図

(mm)

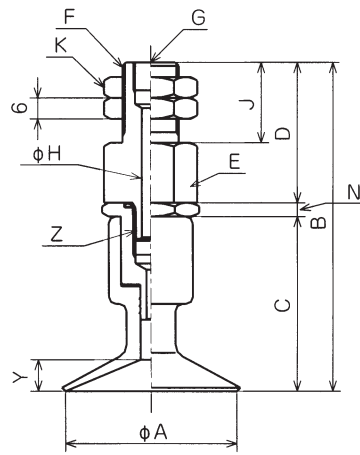
縦取出し/PNTK



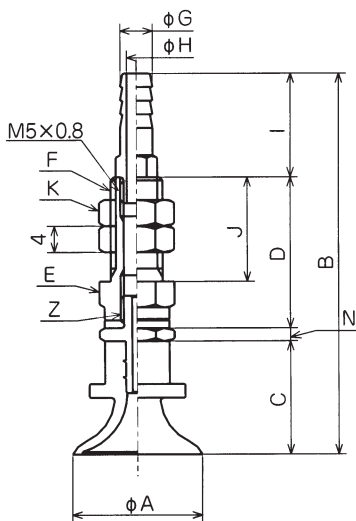
PNTK-101/102/122



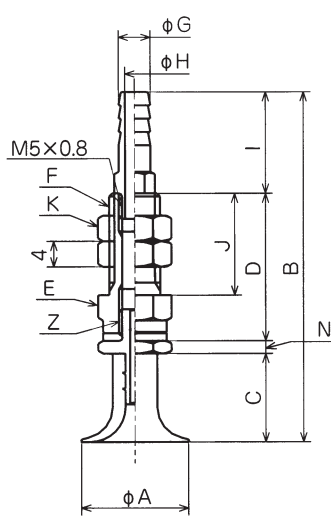
PNTK-103/104/106
110/111/112



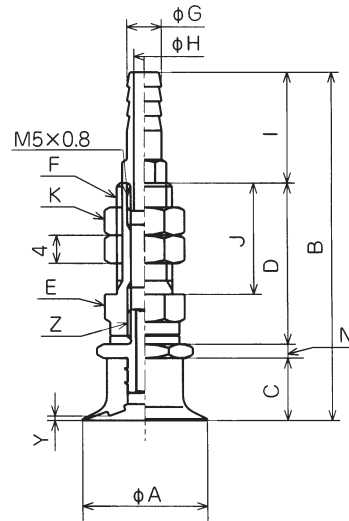
PNTK-107/108



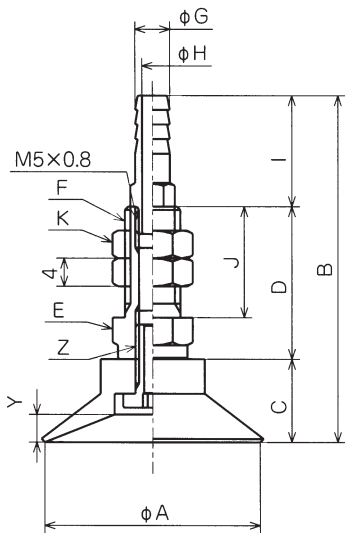
PNTK-109



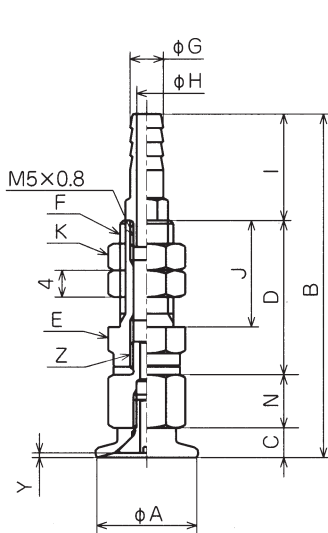
PNTK-114



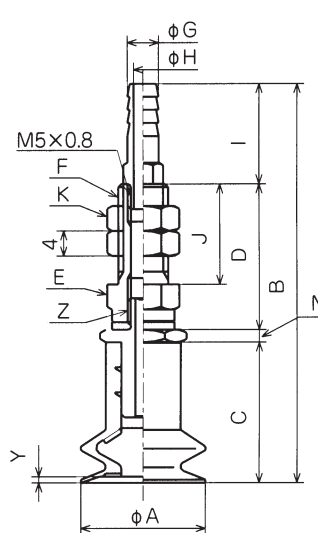
PNTK-116/117/125



PNTK-121



PNTK-123



PNTK-130A/130B