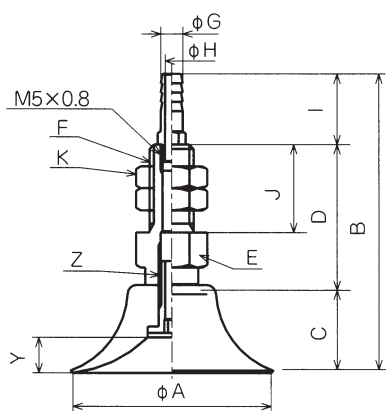
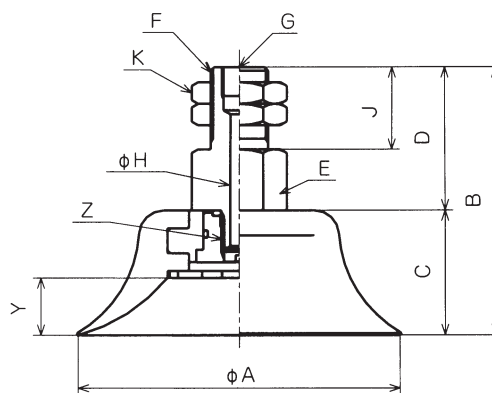


外形寸法図

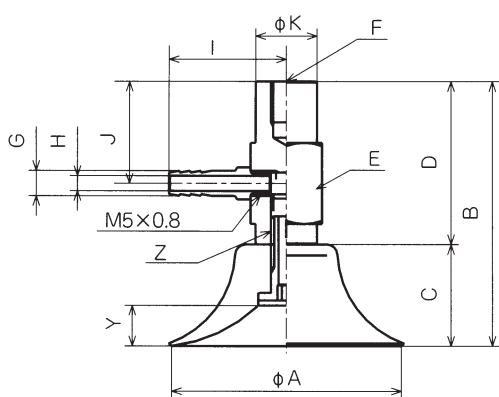
(mm)



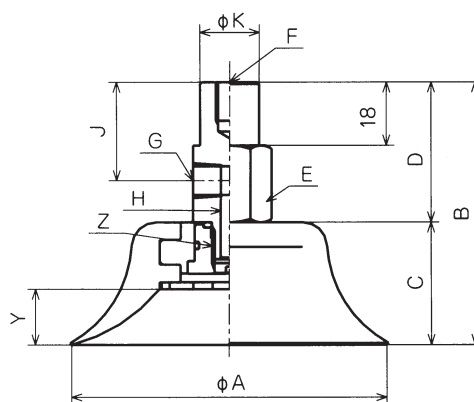
PHTK-30/45



PHTK-65/90



PHYK-30/45



PHYK-65/90

PHTK	A	B	C	D	E	F	G	H	I	J	K	Y	Z	質量 (g)
PHTK-30	30	58	15	32	14H	M10×1.5	5	3	11	20	14H	5	M6×1.0	37
PHTK-45	45	63	20	32	14H	M10×1.5	5	3	11	20	14H	8	M6×1.0	44
PHTK-65	65	69.5	29.5	40	21H	M16×1.5	Rc1/8	5		23	21H	12.5	M10×1.25	142
PHTK-90	90	75	35	40	21H	M16×1.5	Rc1/8	5		23	21H	16	M10×1.25	188

PHYK	A	B	C	D	E	F	G	H	I	J	K	Y	Z	質量 (g)
PHYK-30	30	47	15	32	14H	M6深さ8	5	3	18	20	12	5	M6×1.0	41
PHYK-45	45	52	20	32	14H	M6深さ8	5	3	18	20	12	8	M6×1.0	48
PHYK-65	65	69.5	29.5	40	21H	M8深さ11	Rc1/8	5		28	17	12.5	M10×1.25	138
PHYK-90	90	75	35	40	21H	M8深さ11	Rc1/8	5		28	17	16	M10×1.25	184

