

<p>PC252,PC253</p> <p>4 direction hole for multistage assembly of rack or frame</p> <p>PC252 PC253 $\phi 15 \times 50$</p>	<p>PC254</p> <p>Horizontal two-shaft hole for shaft or PC204 attachment</p> <p>$\phi 15 \times 33$</p>	<p>PC255</p> <p>Decorating ball for attachment on the shaft edge</p> <p>sphere $\phi 15$</p>
--	--	--

PC260

Dwell with stage
for attachment on croze

M4 screw attached $\phi 19 \times 20$

PC262~PC264

Dwell with female screw stage
for attachment on croze

$\phi 19 \times 20$

Part No.	M
PC262	M4
PC263	M5
PC264	M6

PC270

For hinge
one-side free with, the other side fixed

$\phi 19 \times 42$

PC300

Corner for external tightening
to set the corner of frame assembly

26x26x24

PC301

Corner for internal tightening
to set the corner of frame assembly

26x26x24

PC400

Split T
to tuck without disassembling frame (capable of later attachment)

30x24x16

PC401

Split T
to tuck without disassembling frame (capable of later attachment)

24x24x16

PC402

Split Cross
to tuck without disassembling frame (capable of later attachment)

30x24x16

PC403

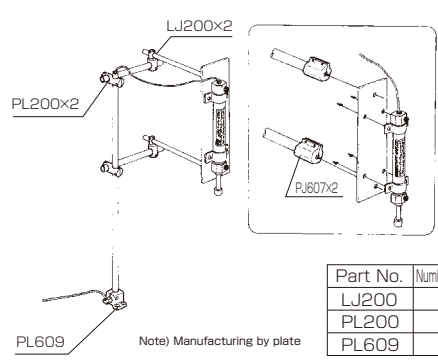
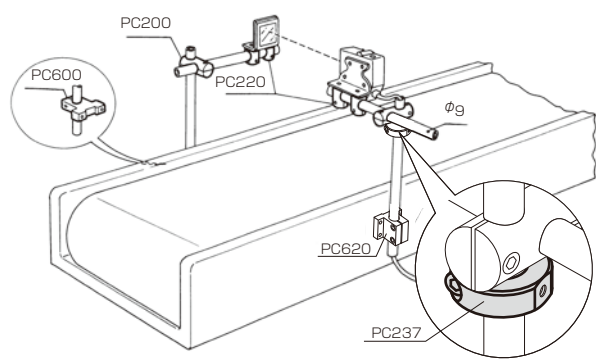
Split Cross
to tuck without disassembling frame (capable of later attachment)

24x24x16

PC420

Split T for rail
to tuck a guide pipe (capable of later attachment)

27x24x16



Part No.	Number of unit
LJ200	2
PL200	2
PL609	1

Note) Manufacturing by plate

Dimension drawing (step and measurement by size) PC($\phi 9$) series