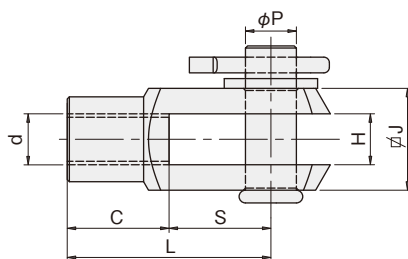


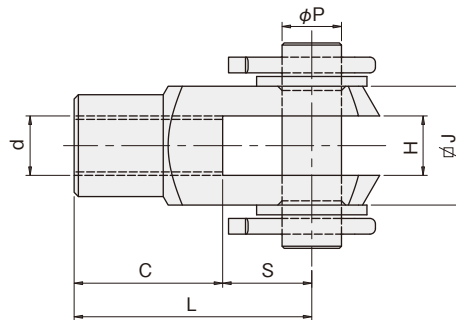
Rod-end

- This part can be used for push-and-pull power transmission mechanism in horizontal and vertical direction.
- Finished with unichrome plating.
- Type Y product is assembled with pin and washer.

Type Y



(Y4~12)



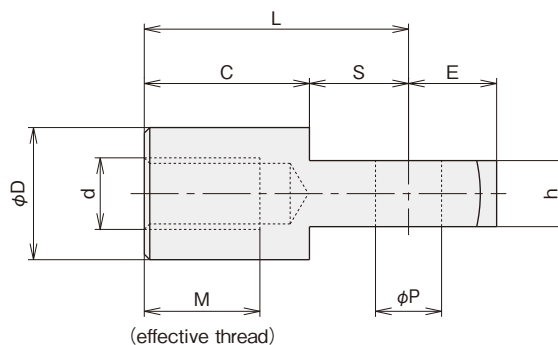
(Y14~24)

■Type Y Dimension Table

Symbol Size	d	L	φP	C	S	H	φJ	Max. tensile load N
Y- 4	M 4×0.7	16	4	8	8	4	8	700
Y- 5	M 5×0.8	20	5	10	10	5	10	980
Y- 6	M 6×1	24	6	12	12	6	12	1370
Y- 8	M 8×1.25	32	8	16	16	8	16	1860
Y-10	M10×1.5	40	10	20	20	10	20	2940
Y-12	M12×1.5	48	12	24	24	12	24	4200
Y-14	M14×1.5	56	14	28	28	14	27	5780
Y-16	M16×1.5	64	16	32	32	16	32	7540
Y-18	M18×1.5	72	18	36	36	18	36	10780
Y-20	M20×1.5	80	20	40	40	20	40	12740
Y-24	M24×1.5	100	25	50	50	25	50	18620

Type T

- Finished with unichrome plating.



■Type T Dimension Table

Symbol Size	d	M	φD	L	φP	C	S	E	h	Max. tensile load N
T- 4	M 4×0.7	6	8	16	4	10	6	5	4	700
T- 5	M 5×0.8	7.5	10	20	5	12.5	7.5	6	5	980
T- 6	M 6×1	9	12	24	6	15	9	7	6	1370
T- 8	M 8×1.25	14	16	32	8	20	12	10	8	2740
T-10	M10×1.5	17.5	20	40	10	25	15	12	10	3920
T-12	M12×1.5	21	24	48	12	30	18	14	12	5580
T-14	M14×1.5	24.5	28	56	14	35	21	16	14	7350
T-16	M16×1.5	28	32	64	16	40	24	19	16	10290
T-18	M18×1.5	31.5	36	72	18	45	27	21	18	12740
T-20	M20×1.5	35	40	80	20	50	30	25	20	17640
T-24	M24×1.5	42	48	96	25	60	36	30	25	25480