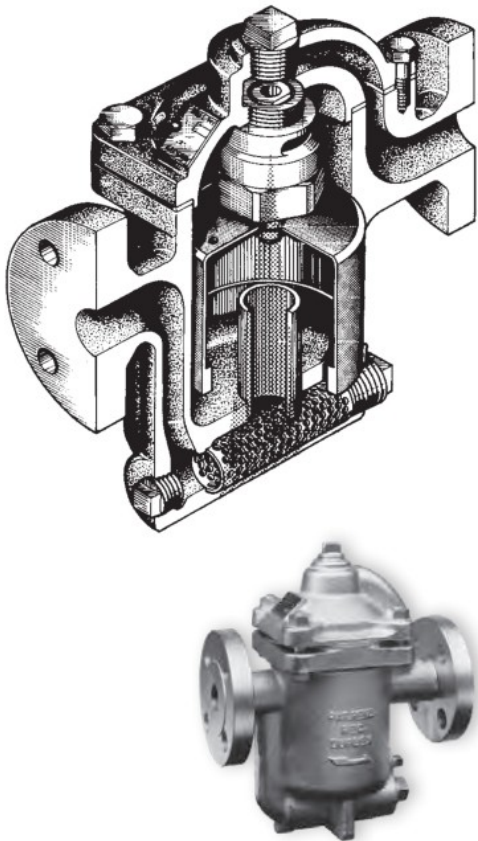
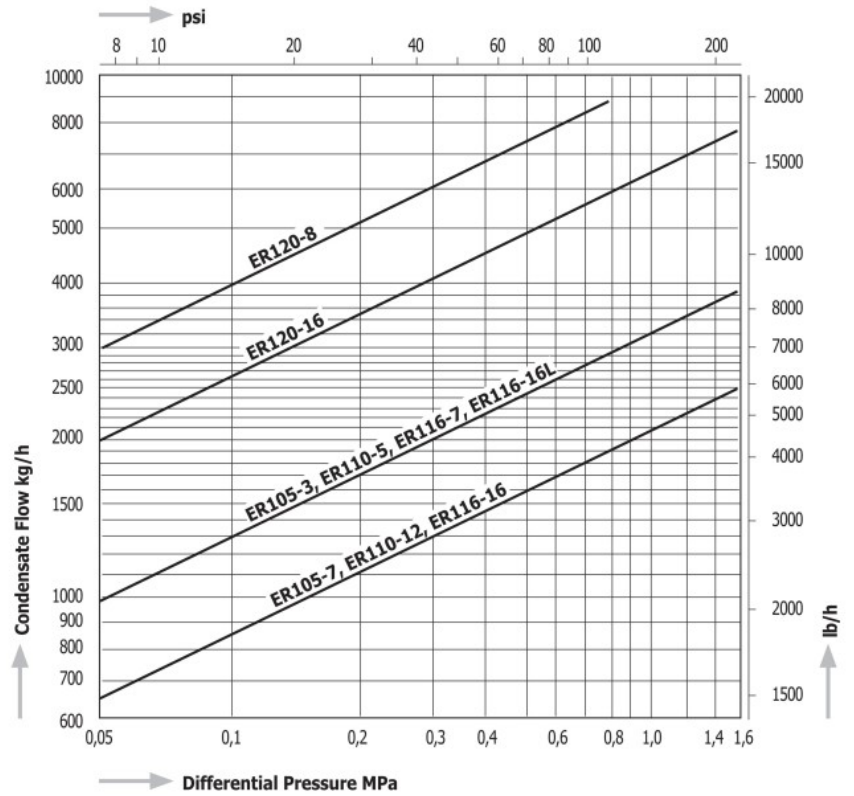


ER



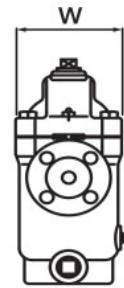
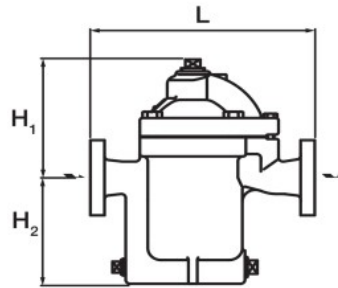
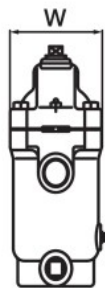
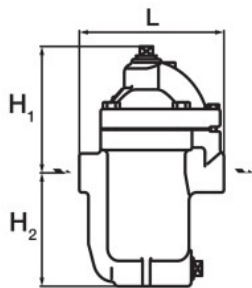
Capacity Chart ER



Dimensions

ER105

ER105F, ER110, ER116, ER120



Model	Connections	Size	Max. Operating Pressure		Max. Operating Temperature		Dimensions (mm)				Dimensions (in)				Body Material	Weight					
			MPa	psig	°C	°F	L	H ₁	H ₂	w	L	H ₁	H ₂	w		kg	lb				
ER105 - 3 7	Screwed Rc, NPT	¾" - 1½"	0,3	43	220	428	190	155	134	120	7.5	6.1	5.3	4.7	Cast Iron FC250	10,2	22.5				
			0,7	100												13,6	29.9				
ER105F - 3 7	Flanged JIS, ASME, DIN	½" - 1"	0,3	43			254	155	134	120	10.0	6.1	5.3	4.7		Cast Iron FC250	15,1	33.2			
		1¼" - 2"	0,7	100													10.0	6.1	5.3	13,6	29.9
		½" - 1"	0,7	100													10.2	6.1	5.3	15,1	33.2
		1¼" - 2"	1,6	230													10.2	6.1	5.3	15,1	33.2
ER110 - 5 12	Flanged JIS, ASME, DIN	½" - 1"	0,5	73			254	200	140	120	10.0	7.9	5.5	4.7		Cast Iron FC250	16,1	35.4			
		1¼" - 2"	0,5	73													11.0	8.3	5.1	18,1	39.9
		½" - 1"	1,2	174													10.0	7.9	5.5	16,1	35.4
		1¼" - 2"	1,2	174													11.0	8.3	5.1	18,1	39.9
ER116 - 7 16	Flanged JIS, ASME, DIN	½" - 1"	0,7	100	300	230	132	190	11.8	9.1	5.2	7.5	Ductile Cast Iron FCD450	19,0	41.8						
		1¼" - 2"	0,7	100										7.5	6.6	23,0	50.7				
		½" - 1"	1,6	230										9.1	5.2	19,0	41.8				
		1¼" - 2"	1,6	230										7.5	6.6	23,0	50.7				
ER120 - 8 16	Flanged JIS, ASME, DIN	1½" - 2½"	0,8	116	220	428	400	220	217	235	15.8	8.7	8.5	9.3	Cast Iron FC250	46,0	101.4				
			1,6	230												46,0	101.4				