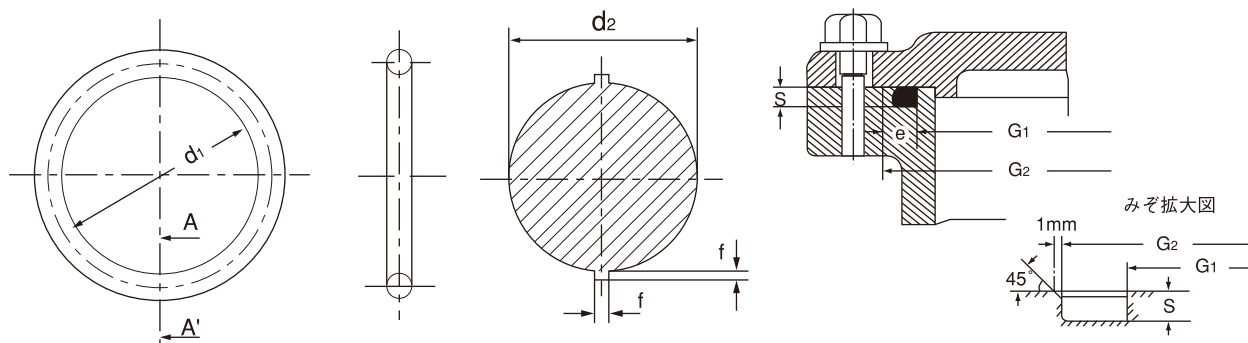


## 真空フランジ用のみぞ部の寸法及び形状 (JIS-B-2401、JIS-B-2290)



(単位 mm)

| 呼 び 番 号 | O リ ン グ 実 寸 法  |                | フ ラ ン ジ み ぞ 部 の 寸 法 |        |    |     |     |     |    |
|---------|----------------|----------------|---------------------|--------|----|-----|-----|-----|----|
|         | d <sub>2</sub> | d <sub>1</sub> | A<br>呼び径            | G1     | G2 | e   | s   |     |    |
| *V 10   | 4.0            | 9.5            | 10                  | 10     | 25 | 5.0 | 3.0 |     |    |
| *V 11   |                | 10.5           |                     | 11     |    |     |     |     |    |
| *V 12   |                | 11.5           |                     | ± 0.20 |    |     |     | 12  |    |
| *V 14   |                | 13.5           |                     | ± 0.24 |    |     |     | 14  |    |
| V 15    |                | 14.5           |                     |        |    |     |     | 15  |    |
| *V 16   |                | 15.5           |                     | ± 0.33 |    |     |     | 16  | 34 |
| *V 18   |                | 17.5           |                     |        |    |     |     | 18  |    |
| *V 20   |                | 19.5           |                     | ± 0.37 |    |     |     | 20  |    |
| *V 21   |                | 20.5           |                     |        |    |     |     | 21  |    |
| *V 22   |                | 21.5           |                     | ± 0.49 |    |     |     | 22  |    |
| V 24    |                | 23.5           |                     |        |    |     |     | 24  | 44 |
| *V 25   |                | 24.5           |                     | ± 0.61 |    |     |     | 25  |    |
| *V 26   |                | 25.5           |                     |        | 26 |     |     |     |    |
| *V 28   |                | 27.5           |                     | ± 0.72 | 28 |     |     |     |    |
| *V 30   |                | 29.5           |                     |        | 30 |     |     |     |    |
| *V 32   |                | 31.5           |                     | ± 0.83 | 32 |     |     |     |    |
| V 34    |                | 33.5           |                     |        | 34 |     |     | 80  |    |
| *V 35   |                | 34.5           |                     | ± 0.97 | 35 |     |     |     | 95 |
| *V 36   |                | 35.5           |                     |        | 36 |     |     |     |    |
| *V 38   |                | 37.5           |                     | ± 0.72 | 38 |     |     |     |    |
| V 40    |                | 39.5           |                     |        | 40 |     |     | 110 |    |
| *V 42   |                | 41.5           |                     | ± 0.97 | 42 |     |     |     |    |
| *V 44   |                | 43.5           |                     |        | 44 |     |     | 120 |    |
| *V 45   |                | 44.5           |                     | 45     |    |     |     |     |    |
| *V 46   | 45.5           | 46             |                     |        |    |     |     |     |    |
| *V 48   | 47.5           | 48             |                     |        |    |     |     |     |    |
| *V 50   | 49.5           | 50             |                     |        |    |     |     |     |    |
| *V 53   | 52.5           | 53             |                     |        |    |     |     |     |    |
| V 55    | 54.5           | 55             | 65                  |        |    |     |     |     |    |
| *V 56   | 55.5           | 56             |                     |        |    |     |     |     |    |
| *V 58   | 57.5           | 58             |                     |        |    |     |     |     |    |
| *V 60   | 59.5           | 60             |                     |        |    |     |     |     |    |
| *V 63   | 62.5           | 63             |                     |        |    |     |     |     |    |
| *V 65   | 64.5           | 65             |                     |        |    |     |     |     |    |
| *V 67   | 66.5           | 67             |                     |        |    |     |     |     |    |
| V 70    | 69.0           | 70             | 80                  |        |    |     |     |     |    |
| *V 75   | 74.0           | 75             |                     |        |    |     |     |     |    |
| *V 80   | 79.0           | 80             | 95                  |        |    |     |     |     |    |
| V 85    | 84.0           | 85             | 110                 |        |    |     |     |     |    |
| *V 90   | 89.0           | 90             | 120                 |        |    |     |     |     |    |
| *V 95   | 94.0           | 95             |                     |        |    |     |     |     |    |
| V 100   | 99.0           | 100            |                     |        |    |     |     |     |    |
| *V 105  | 104.0          | 105            |                     |        |    |     |     |     |    |
| *V 110  | 109.0          | 110            |                     |        |    |     |     |     |    |
| *V 115  | 114.0          | 115            |                     |        |    |     |     |     |    |
| V 120   | 119.0          | 120            |                     |        |    |     |     |     |    |

\*印は JIS 規格外寸法です。