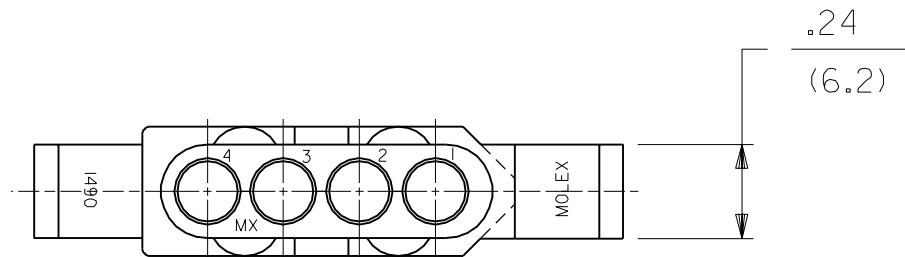
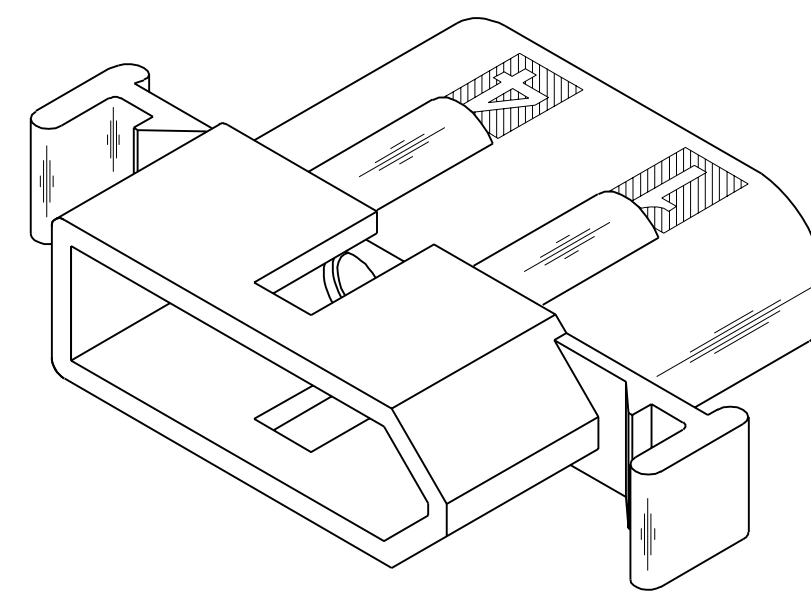
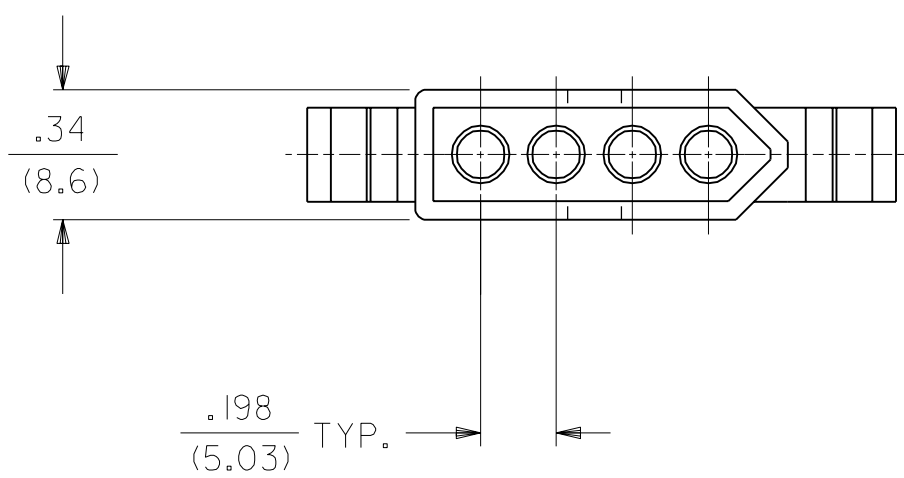
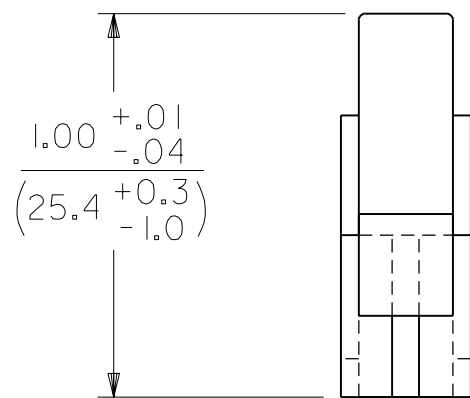
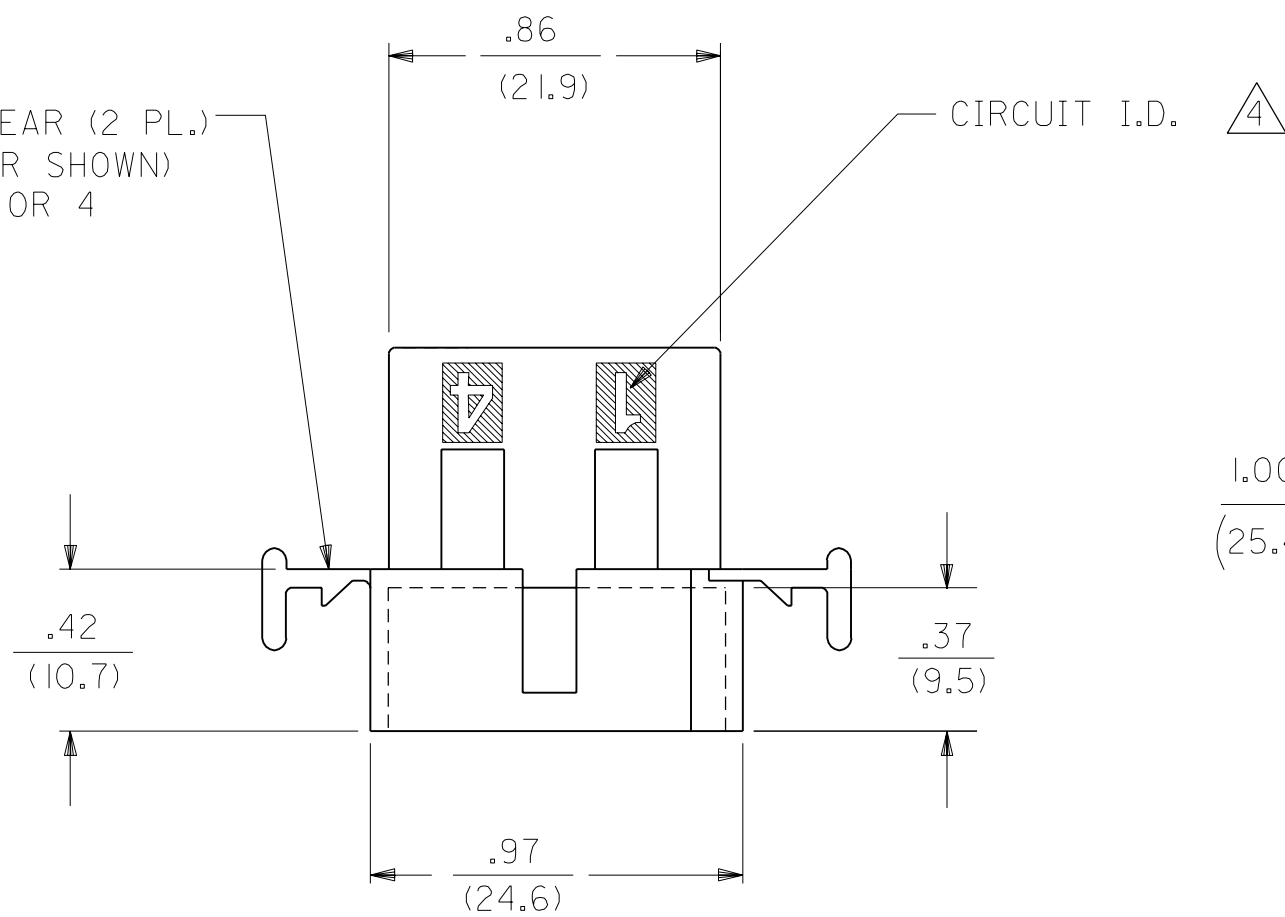


13 12 11 10 9 8 7 6 5 4 3 2 1

PLUG



OPTIONAL MOUNTING EAR (2 PL.)
(STD. MOUNTING EAR SHOWN)
SEE DETAIL 3 OR 4



PLUG HOUSING

T	3	T	
T	2	T	
T	1	T	
MFG.	SH.	REV.	LTR.
			REVISIONS
			T ADD -PIBU VERSION PER ECN #U3 1537 10-21-93 RW
			S REVISE PER ECR U1 1686 GEC 8/9/91 RW
			RI ADD EDP'S & REVISE SUFFIXES, ECR U10834 GEC 4/24/91 RW
			R REV. LENGTH TOL. ECN #U1 0685 3-22-91 RW
			P REV. & REDRAWN, ECR U8 1139 GEP 3-8-88 RW

DIMENSIONS SHOWN (METRIC) INCH
UNLESS OTHERWISE SPECIFIED
TOLERANCES: ANGULAR ± 10°

	INCH	METRIC
3 PLACE	± .010	---
2 PLACE	± .014	± 0.25
1 PLACE	---	± 0.35

DRAFT WHERE APPLICABLE MUST
REMAIN WITHIN DIMENSIONS

DRWG. BY: GEP CHK'D. BY: RW
APP'D. BY: RAS SCALE: 2 : 1

REVISIONS: 0 = 0 REVISIONS: 0 = 0 REVISE ONLY ON CAD SYSTEM

TITLE: .093/(2.36) HOUSING,
PLUG AND RECEPTACLE,
4 CKT., .198/(5.03) CTRS.

MOLEX INCORPORATED SHEET NO. 1 OF 3 DATE 3/ 9/88
LITLLE, ILL. U.S.A.

PART NO. SD-1490-1 DRWG. NO. SD-1490-*

SEE CHART DIV. CP SIZE C

THIS DRAWING CONTAINS INFORMATION THAT IS PROPRIETARY TO
MOLEX INC. AND SHOULD NOT BE USED WITHOUT WRITTEN PERMISSION

13 12 11 10 9 8 7 6 5 4 3 2 1