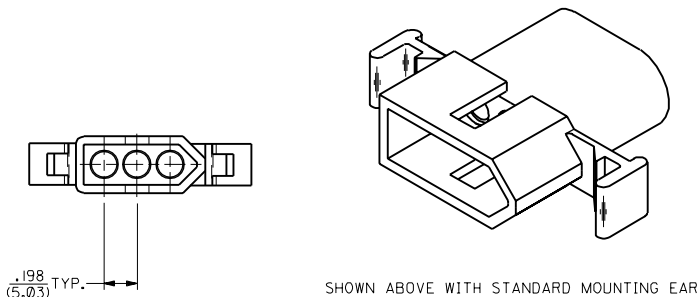
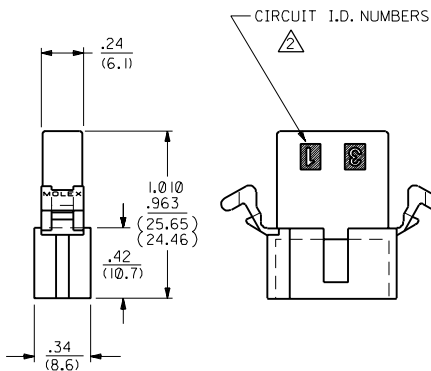
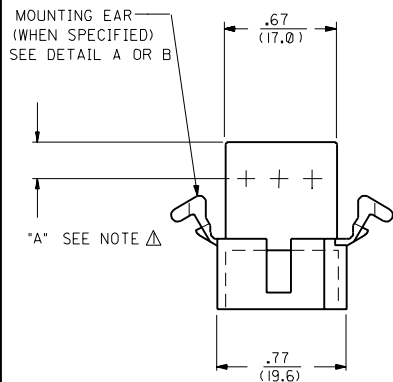
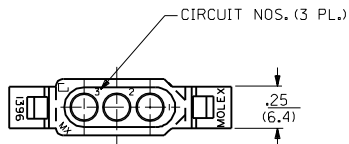
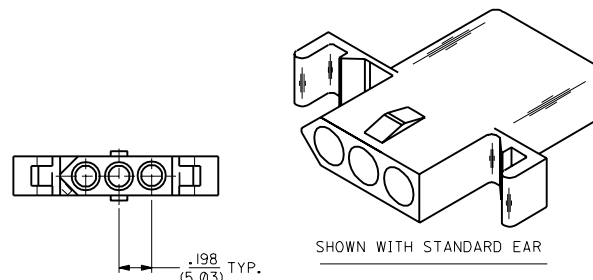
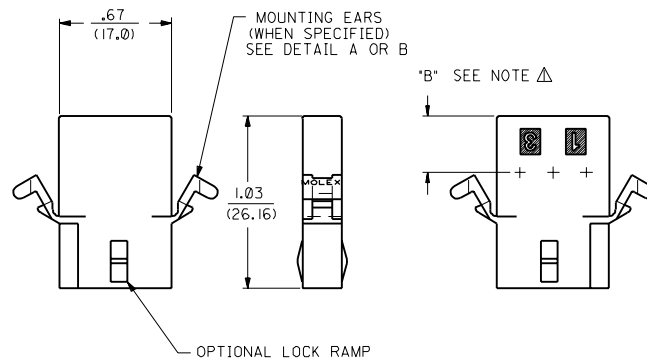
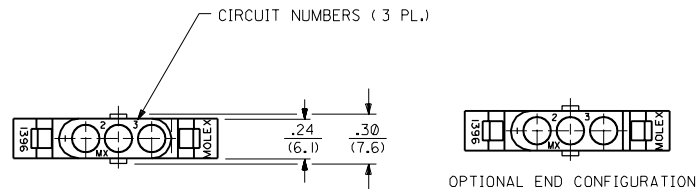


# PLUG



# RECEPTACLE



NOTES:  
 Δ DIMENSION FROM THE BACK OF HOUSING TO THE END OF THE BRUSH ON THE WIRE INSERTED INTO THE HOUSING  
 DIM "A" = .256/6.50 FOR 42477 & 42478 TERMINALS  
 .216/5.49 FOR ALL OTHER .093 TERMINALS  
 DIM "B" = .377/9.58 FOR 42477 & 42478 TERMINALS  
 .337/8.56 FOR ALL OTHER .093 TERMINALS

Y3	REVISED PER UCR2000-0583 3/1/00 DDS
Y2	REMOVE -R3, -R5 VER. PER ECN #16 1479 6-10-96 RW
Y1	X-REMOVE 1396-R4 ECR U3 1583 GC 10/26/93 RW
Y	ADD CKT. I.D. #'S PER ECR U3 0683 GC 5/4/93 RW
X	REV MAT'L SPECS. ECR U2-1491 10-08-92 A.GUZIK
W1	ADD -D VERSIONS. ECR U1 1106 GC 7/25/91 RW
W	REVISE ON CAD ECR #UB 1381 JJS 4-24-88 RW
2	Y2
1	Y3
MFG. SH.	REV. LTR.
REVISE ONLY ON CAD SYSTEM	

DIMENSIONS SHOWN METRIC/INCH  
 UNLESS OTHERWISE SPECIFIED TOLERANCES ANGULAR ± 1/2°

	INCH	METRIC
3 PLACE	± .010	---
2 PLACE	± .014	± 0.25
1 PLACE	---	± 0.36

DRAFT WHERE APPLICABLE MUST REMAIN WITHIN DIMENSIONS

DRWG. BY: RAS  
 APP'D: RAS  
 CHK'D: JUS  
 IN: RW  
 SCALE: 2 : 1

TITLE: .093/(2.36) HOUSING, PLUG & RECEPTACLE  
 3 CIRCUIT, 198/(5.03) C

PART NO. L15LEJLL 60532  
 MOLEX INCORPORATED  
 U.S.A.

SHEET NO. 1 OF 2  
 DATE 4 / 3 / 88

DRWG. NO. SD-1396-•

THIS DRAWING CONTAINS INFORMATION THAT IS PROPRIETARY TO MOLEX INC. AND SHOULD NOT BE USED WITHOUT WRITTEN PERMISSION. CP