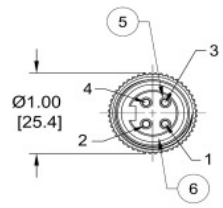
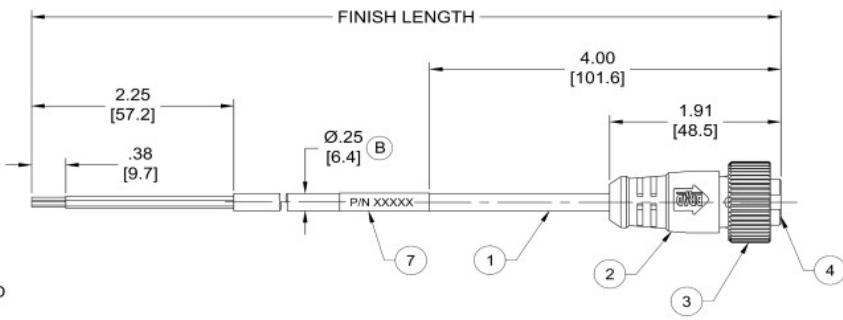
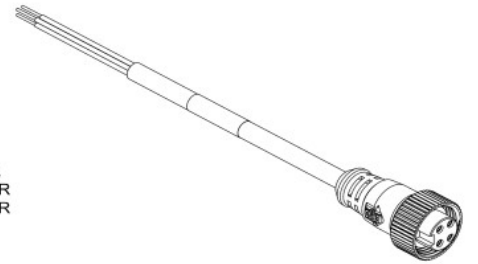


PART NO.	ENGINEERING NO.	FINISHED LENGTH
1300060833	104000A05M020	2M [6FT 7 IN]
1300060850	104000A05M150	15M [49FT 3 IN]
1300062428	104000A05M300	30M [98FT 5 IN]

PART NUMBER LEGEND
104000A05M020

CABLE LENGTH
M050 = 5 METER
M100 = 10 METER
M500 = 50 METER



FEMALE FACE VIEW

- NOTES:**
1. MATERIAL: AS NOTED
 2. FINISH: AS NOTED
 3. ELECTRICAL:
VOLTAGE : 300V
CURRENT: 5.6A
 4. TEMP RATING: -20° TO +105°C
 5. PROTECTION: IP67 (WHEN MATED)
 6. COUPLING THREAD: 7/8"-16UN
 7. UL RECOGNIZED FILE: E152210 (B)
CSA CERTIFIED FILE: LR6837
 8. ALL DIMENSIONS ARE FOR REFERENCE UNLESS TOLERANCED OR NOTED OTHERWISE

COLOR	QUANTITY	NOTES
BLACK	4	(1)
BLUE	3	(2)
BROWN	1	(3)
WHITE	2	(4)

CENELEC (SAE)

WIRING DIAGRAM (B)

(B) CABLE LENGTH TOLERANCES

<.3M [1FT]: +19mm-0 [+.75in-0]
.3 - .9M [1 - 3FT]: +44.5mm-0 [+1.75in-0]
.9 - 1.8M [3 - 6FT]: +55.6mm-0 [+2.19in-0]
1.8 - 3.7M [6 - 12FT]: +88.9mm-0 [+3.50in-0]
3.7 - 7.3M [12 - 24FT]: +165.1mm-0 [+6.50in-0]
7.3-14.6M [24 - 48FT]: +317.5mm-0 [+12.50in-0]
14.6 - 30.5M [48-100FT]: +622.3mm-0 [+24.50in-0]
OVER 30M [100FT] +2% OF FINISHED LENGTH

ITEM	COMPONENT	MATERIAL	FINISH
7	WRAP LABEL	VINYL	BLACK/YELLOW
6	FRICTION RING	NYLON	WHITE
5	CONTACT SOCKET	COPPER ALLOY	GOLD OVER NICKEL
4	INSERT	TPE	YELLOW
3	COUPLING NUT	ZINC DIE CAST	BLACK-E-COAT
2	OVERMOLD	TPE	YELLOW
1	CABLE, 18 AWG	PVC	YELLOW

FUNCTIONAL SYMBOLS: THIS DRAWING CONTAINS INFORMATION THAT IS PROPRIETARY TO MOLEX ELECTRONIC TECHNOLOGIES, LLC AND SHOULD NOT BE USED WITHOUT WRITTEN PERMISSION

INCH/MM NTS

GENERAL TOLERANCES (UNLESS SPECIFIED)

PLACES	±	mm	±	INCH
4 PLACES	±	0.15	±	0.006
3 PLACES	±	0.25	±	0.010
2 PLACES	±	0.38	±	0.015
1 PLACE	±	0.51	±	0.020
0 PLACES	±	0.64	±	0.025

ANGULAR TOL. ± 0.5°

DRAFT (WHERE APPLICABLE) MUST REMAIN WITHIN DIMENSIONS

THIRD ANGLE PROJECTION

EC NO: 698916

DRWN: ABENJAMINLW 2021/05/13

CHK'D: RSTONE 2022/03/09

APPR: BWOODMAN 2022/03/11

INITIAL REVISION:

DRWN: TWOLDEGE 2009/07/22

APPR: JFMURPHY 2009/08/10

molex

MINI-CHANGE CORDSET, A-SIZE
4-POLE, FEMALE, STRAIGHT, SINGLE KEY,
#18 AWG

PRODUCT CUSTOMER DRAWING

DOCUMENT NUMBER: SD-130006-012

PSD 001 B

SEE CHART GENERAL MARKET

SHEET NUMBER 1 OF 1