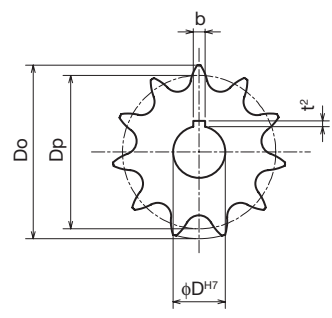
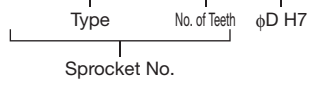


FBN50B

● Order No. Example

FBN 50B 20 D22



- Chain No.50
- Chain Pitch (P)15.875mm
- Roller Link Inner Width (W) 9.53 mm
- Roller Outside Diameter (Dr)10.16 mm
- Tooth Width (T) 8.7 mm

Type	No. of Teeth	Outer Diameter Do	Pitch Diameter Dp	Boss Diameter BD	Boss Length BL	a	Weight kg	φD ^{H7}	¥
FBN 50B	9	53	46.42	★34	25	5	0.20	16 17 18 19	
	10	58	51.37	★40	25	5	0.27	15 16 17 18 19 20	
	11	64	56.35	★45.5	25	5	0.33	15 16 17 18 19 20	
	12	69	61.34	★50	25	5	0.41	15 16 17 18 19 20	
	13	74	66.34	★51	25	5	0.46	14 15 16 17 18 19 20	
	14	79	71.34	52	25	7	0.52	14 15 16 17 18 19 20	
	15	84	76.35	57	25	7	0.62	14 15 16 17 18 19 20	
	16	89	81.37	62	25	7	0.72	14 15 16 17 18 19 20 22 24 25 28 30 32 35	
	17	94	86.39	67	25	7	0.83	14 15 16 17 18 19 20	
	18	100	91.42	72	28	8	1.00	14 15 16 17 18 19 20	
	19	105	96.45	73	28	8	1.10	14 15 16 17 18 19 20 22	
	20	110	101.48	73	28	8	1.20	14 15 16 17 18 19 20 22	
	21	115	106.51	73	28	8	1.20	17 18 19 20 22	
	22	120	111.55	73	28	8	1.30	17 18 19 20 22	
	23	125	116.58	73	28	8	1.30	17 18 19 20 22	
	24	130	121.62	73	28	8	1.40	17 18 19 20 22 24 25 28 30	
	25	135	126.66	73	28	8	1.50	17 18 19 20 22 24 25 28 30	
	26	140	131.70	73	28	8	1.50	24 25 28 30	
	27	145	136.74	73	28	8	1.50	24 25 28 30	
	28	150	141.79	73	28	8	1.60	24 25 28 30	
	29	155	146.83	73	28	8	1.70	24 30	
	30	161	151.87	73	28	8	1.80	22 25 28 30	
	32	171	161.96	73	28	8	1.90	25 28 30	
	33	176	167.01	73	28	8	2.00	35	
	34	181	172.05	73	28	8	2.10	25 28 30	
	35	186	177.10	73	28	8	2.20	25 28 30	
	40	211	202.33	83	35	10	3.25		
	42	221	212.43	83	35	10	3.50		
	45	237	227.58	83	35	10	3.85		
	48	252	242.73	83	35	10	4.20		
50	262	252.83	83	35	10	4.50			