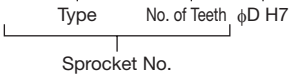


FBN35B

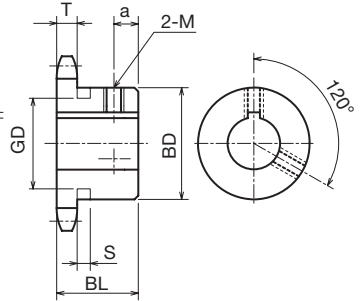
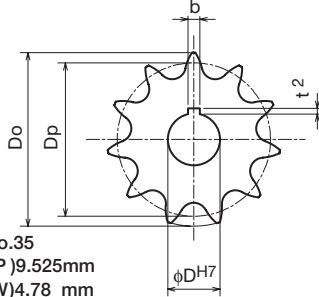
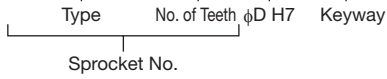
● Order No. Example

FBN35B 20 D20



● Order No. Example

FBN35B 16 D10 K4



- Chain **No.35**
- Chain Pitch **(P)9.525mm**
- Bushing Link Inner Width ... **(W)4.78 mm**
- Bushing Outside Diameter ... **(Dr)5.08 mm**
- Tooth Width **(T)4.3 mm**

| Type | No. of Teeth | Outer Diameter Do | Pitch Diameter Dp | Boss Diameter BD | Boss Length BL | a | Weight kg | φD _{H7} | ¥ |
|----------------|--------------|-------------------|-------------------|------------------|----------------|----|-----------|----------------------------|---|
| FBN 35B | 9 | 32 | 27.85 | ★21.5 | 20 | 6 | 0.06 | 10 | |
| | 10 | 34 | 30.82 | ★24.5 | 20 | 6 | 0.08 | 10 | |
| | 11 | 38 | 33.81 | ★27 | 20 | 6 | 0.09 | 10 | |
| | 12 | 41 | 36.80 | ★30.5 | 20 | 6 | 0.12 | 10 12 14 15 | |
| | 13 | 44 | 39.80 | ★32 | 20 | 6 | 0.12 | 10 12 14 | |
| | 14 | 47 | 42.81 | 32 | 20 | 6 | 0.12 | 10 12 14 | |
| | 15 | 51 | 45.81 | 35 | 20 | 6 | 0.16 | 10 12 14 | |
| | 16 | 54 | 48.82 | 37 | 20 | 6 | 0.19 | 10 12 14 15 16 17 18 19 20 | |
| | 17 | 57 | 51.84 | 41 | 20 | 6 | 0.22 | 12 14 15 16 17 18 19 20 | |
| | 18 | 60 | 54.85 | 44 | 20 | 6 | 0.25 | 12 14 15 16 17 18 19 20 | |
| | 19 | 63 | 57.87 | 47 | 20 | 6 | 0.28 | 12 14 15 16 17 18 19 20 | |
| | 20 | 66 | 60.89 | 50 | 20 | 6 | 0.32 | 12 14 15 16 17 18 19 20 | |
| | 21 | 69 | 63.91 | 53 | 20 | 6 | 0.36 | 12 14 15 16 17 18 19 20 | |
| | 22 | 72 | 66.93 | 56 | 20 | 6 | 0.37 | 12 14 15 16 17 18 19 20 | |
| | 23 | 75 | 69.95 | 60 | 20 | 6 | 0.38 | 12 14 15 16 17 18 19 20 | |
| | 24 | 78 | 72.97 | 53 | 22 | 8 | 0.43 | 12 14 15 16 17 18 19 20 | |
| | 25 | 81 | 76.00 | 53 | 22 | 8 | 0.44 | 15 16 17 18 | |
| | 26 | 84 | 79.02 | 53 | 22 | 8 | 0.45 | 15 16 17 | |
| | 27 | 87 | 82.05 | 53 | 22 | 8 | 0.46 | 15 16 | |
| | 28 | 90 | 85.07 | 53 | 22 | 8 | 0.48 | 15 16 | |
| | 30 | 96 | 91.12 | 53 | 22 | 8 | 0.51 | 15 16 17 18 19 20 | |
| | 32 | 102 | 97.18 | 53 | 22 | 8 | 0.54 | 15 16 17 18 19 20 | |
| | 34 | 109 | 103.23 | 53 | 22 | 8 | 0.57 | 15 16 17 18 19 20 | |
| | 35 | 112 | 106.26 | 53 | 22 | 8 | 0.59 | 15 16 17 18 19 20 | |
| | 36 | 115 | 109.29 | 53 | 22 | 8 | 0.61 | 15 16 17 18 19 20 | |
| | 38 | 121 | 115.34 | 63 | 25 | 10 | 0.82 | 20 22 24 25 | |
| | 40 | 127 | 121.40 | 63 | 25 | 10 | 0.85 | 20 22 24 25 | |