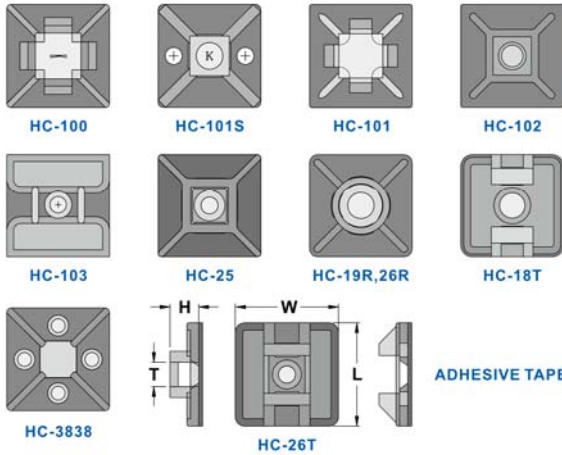


0505 KSS SELF ADHESIVE TIE MOUNT



UNIT : mm



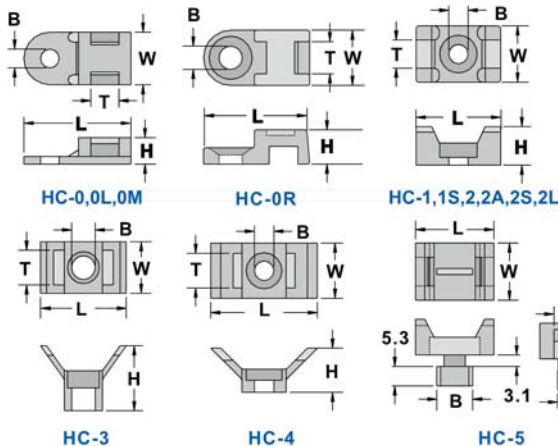
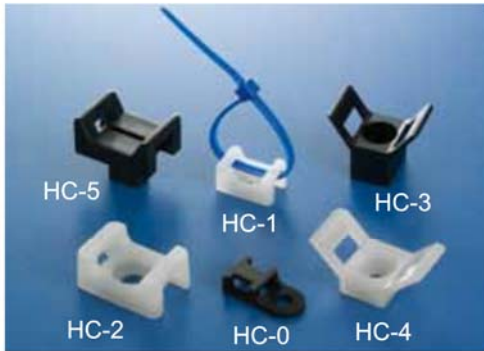
Item No.	L	W	H	Mounting Hole	T	Packing
※ HC-100-S4	12.5	12.5	3.2	-	3.2	100pcs
※ HC-101S-S2	19.5	19.5	3.9	3.2	4.6	
HC-101S	19.5	19.5	3.9	3.2	4.6	
HC-101	21.8	21.8	4.0	-	4.8	
HC-102	28.6	28.6	5.3	5.0	5.5	
HC-103	29.2	29.2	5.4	5.0	5.5	
HC-25	26.1	26.1	6.0	4.3	8.0	
HC-19R	18.9	18.9	4.6	4.8	4.2	
HC-26R	26.3	26.3	6.0	5.0	5.6	
HC-18T	19.0	19.0	5.0	4.4	4.1	
HC-26T	26.5	26.5	7.4	4.3	5.8	
HC-3838	38.5	38.5	7.6	5.0	10.2	

- Material: UL approved Nylon 66, 94V-2
- Color : Natural, available in other colors.
- SELF-ADHESIVE TIE MOUNTS is designed to support light weight wire bundles when properly applied on any clean, smooth, grease-free surface. For heavy support, mounting hole is provided for screws.
- To apply, simply peel off backing paper and apply mount to surface. After that, cable ties can be inserted to secure wire bundles.
- ※HC-100-S4 4pcs on a strip (Simply peel off backing paper)
- ※HC-101S-S2 2pcs on a strip (Simply peel off backing paper)

0510 KSS SADDLE TYPE TIE MOUNT



UNIT : mm



Item No.	H	L	W	T	B	Packing
HC-0	5.0	19.6	9.5	5.2	3.7	100pcs
HC-0M	5.0	19.0	9.5	5.0	4.3	
HC-0L	5.0	19.0	9.5	5.0	5.2	
HC-0R	6.2	19.1	10.0	5.4	4.2	
HC-1	7.0	15.0	10.0	5.1	3.5	
HC-1S	5.8	12.8	7.0	4.0	3.3	
HC-2S	9.8	23.0	16.0	9.0	5.0	
HC-2	9.8	23.0	16.0	9.0	6.3	
HC-2A	10.4	20.5	17.1	10.4	6.0	
HC-2L	9.8	23.0	16.0	9.0	6.5	
HC-3	17.5	23.0	13.8	9.5	5.3	
HC-4	11.6	30.0	14.7	9.3	5.0	
HC-5	10.0	21.5	16.0	7.8	5.8X9.7	

- Material: UL approved Nylon 66, 94V-2
- Color : Natural, available in other colors.
- To apply with KSS Nylon cables ties:
 HC-0: CV-075, CV-094, ..., CV-280, CV-310 HC-1: CV-075, CV-094, ..., CV-280, CV-310 HC-2: All applicable size
- Saddle design provide maximum stability to wire bundles.
- To apply, simply fix mount with a screw and secure wire bundles with KSS Nylon cable ties.