

MANUAL VALVES

Lever-operated Type 2-, 3-port

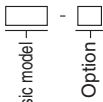
Symbols

2-port NC/NO (both normally closed and normally open use)	3-port NC/NO (both normally closed and normally open use)
125V-2 250V-2 2503V-2	125V 250V 2503V

Specifications

Item	Basic model	125V	250V	2503V
Port size		Rc1/8	Rc1/4	Rc3/8
Media		Air		
Operating pressure range		0~0.9 [0~9.2] [0~131]		
Proof pressure		1.35 [13.8] [196]		
Operating temperature range (atmosphere and media)		5~60 [41~140]		
Effective area	mm ²	5.5	15	
Flow coefficient	Cv	0.27	0.76	
Valve stroke	mm [in.]	0.8 [0.031]	1.6 [0.063]	
Lubrication		Not required		
Mass	kg [lb.]	0.11 [0.24]	0.24 [0.53]	0.29 [0.64]
Options		2-port2	2-port2	
..... Order codes		With lock nuts for panel mounting22		

Order Codes

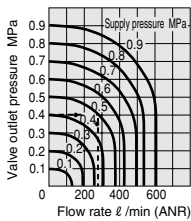


Basic model		Option	
Basic model	Port size	Code	Specifications
125V	Rc1/8	Blank	3-port
250V	Rc1/4	2	2-port
2503V	Rc3/8	22	With lock nuts for panel mounting (125V only)

Examples:
125V-2-22
250V
2503V-2

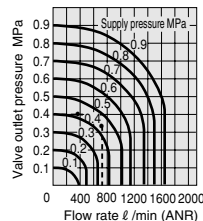
Flow Rate

125 series



1MPa = 145psi.
1 ℓ /min = 0.0353ft³/min.

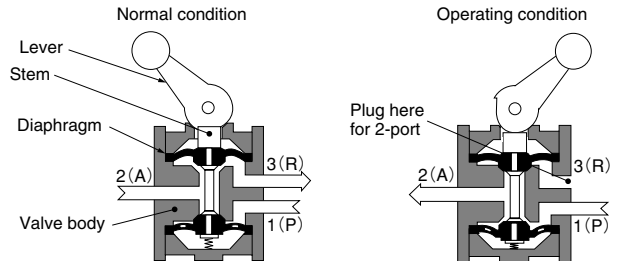
250 series 2503 series



How to read the graph
When the supply pressure is 0.5MPa [73psi.] and the flow rate is 275 ℓ /min [9.71ft³/min.] (ANR), the valve outlet pressure becomes 0.4MPa [58psi.].

How to read the graph
When the supply pressure is 0.5MPa [73psi.] and the flow rate is 740 ℓ /min [26.1ft³/min.] (ANR), the valve outlet pressure becomes 0.4MPa [58psi.].

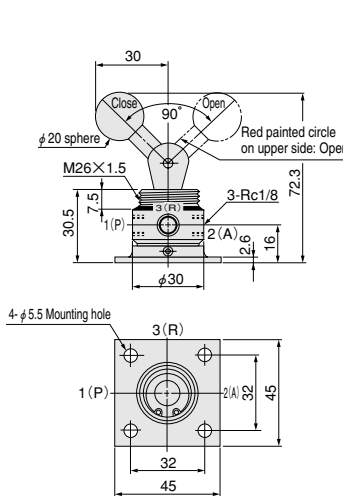
Inner Construction, Major Parts and Materials



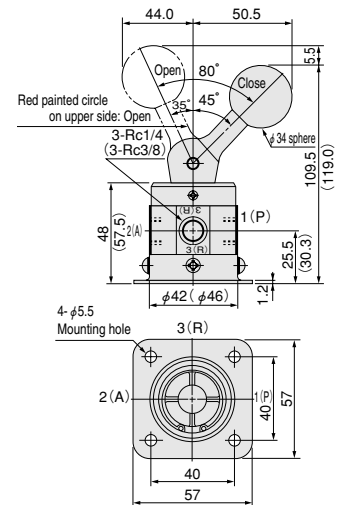
Parts	Materials
Body	Aluminum alloy (anodized)
Stem	Brass
Diaphragm	Synthetic rubber

Dimensions (mm)

125V



250V 2503V



- Notes: 1. Although the 125V lever is set on the 1(P) port side in the normal condition, it can be positioned in 360° range.
2. Dimensions in parentheses () are for the 2503V.