

Additional Parts Order Codes for Monoblock Manifold

Manifold parts

JAZ -

Parts description

- GS1** : Gasket
- E1** : Back pressure prevention valve (2 pcs. for monoblock type)
- J4K** : ϕ 4 fitting (2 pcs. for monoblock type, and 1 pc. gasket)
- J6K** : ϕ 6 fitting (2 pcs. for monoblock type, and 1 pc. gasket)
- NPM** : Individual air supply spacer
(Spacer body, gasket and 2 mounting screws)

Block-off plate (block-off plate and 2 mounting screws)

JABP

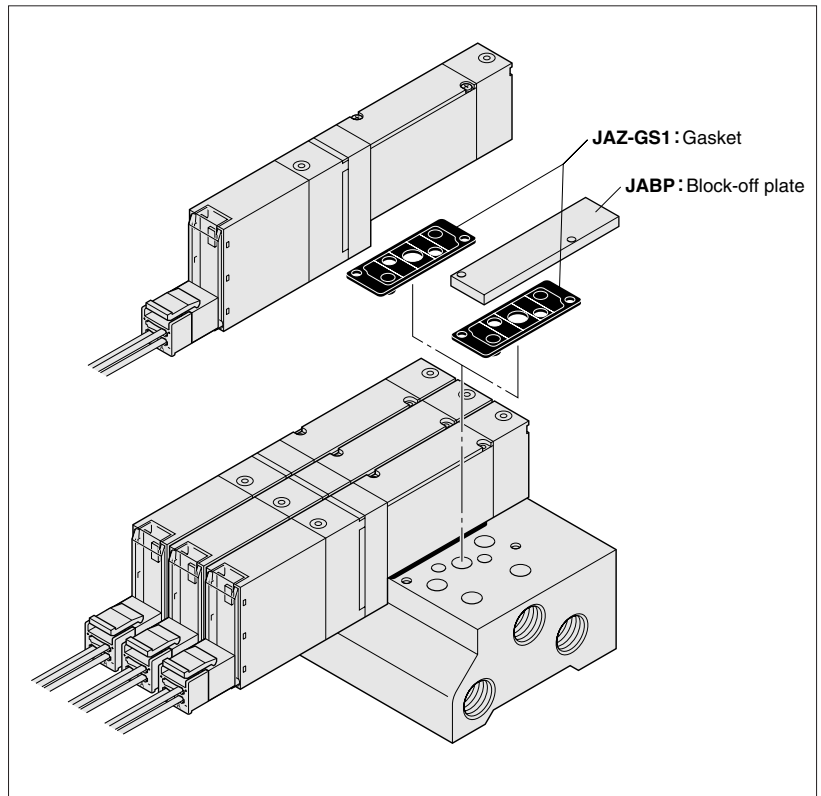
Connector-related

JAZ -

Connector specification

- CP** : Positive common plug connector, lead wire length 300mm [11.8in.]
- CP3** : Positive common plug connector, lead wire length 3000mm [118in.]
- CPN** : Positive common plug connector, without lead wire (short bar and contacts included)
- PA** : Positive common A type, plug connector lead wire length 300mm* [11.8in.]
- PA3** : Positive common A type, plug connector lead wire length 3000mm* [118in.]
- PB** : Positive common B type, plug connector lead wire length 300mm* [11.8in.]
- PB3** : Positive common B type, plug connector lead wire length 3000mm* [118in.]
- PC** : Positive common C type, plug connector lead wire length 300mm* [11.8in.]
- PC3** : Positive common C type, plug connector lead wire length 3000mm* [118in.]
- CM** : Negative common plug connector, lead wire length 300mm [11.8in.]
- CM3** : Negative common plug connector, lead wire length 3000mm [118in.]
- CMN** : Negative common plug connector, without lead wire (short bar and contacts included)
- MA** : Negative common A type, plug connector lead wire length 300mm* [11.8in.]
- MA3** : Negative common A type, plug connector lead wire length 3000mm* [118in.]
- MB** : Negative common B type, plug connector lead wire length 300mm* [11.8in.]
- MB3** : Negative common B type, plug connector lead wire length 3000mm* [118in.]
- MC** : Negative common C type, plug connector lead wire length 300mm* [11.8in.]
- MC3** : Negative common C type, plug connector lead wire length 3000mm* [118in.]

※ For details, see p.178.



SOLENOID VALVES JA SERIES

Manifold Order Code Example (6 units of JA series)

JAM6AJ

- stn.1~2 JA10A5-PS-J4K-D4
- stn.3~5 JA10A6-PS-J6K-D4
- stn.6 JABP-J6K

Note: This order code example has no relation to the illustration above.

Precautions for Order Codes

● Order for valves only

Place orders by "Single Valve Unit Order Codes" on p.189.

For common terminal wiring connections, order separately the common connector assemblies listed above.