

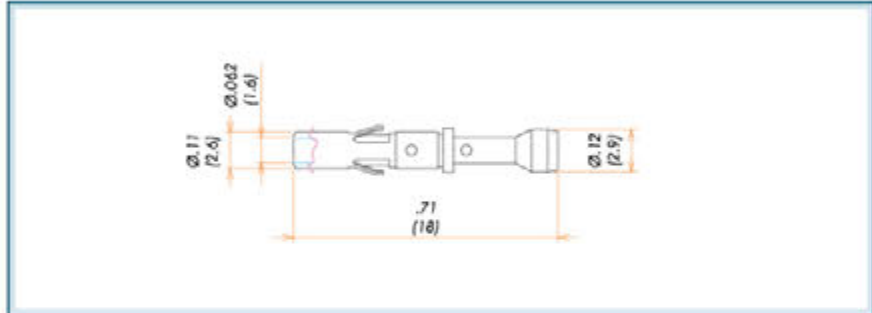
Dimensions in inches (mm)

Air Side Socket Contacts

Accessories for the Multipin BURNDY Series (Standard / High Current)



SAC16 [10142]



Features

Socket contacts are available that connect to pins by Crimping in air side. Specifications depend on circumstances such as vacuum side, air side and temperature. Please select the most suitable products for your application.

Materials	Current: A max.	Temperature Range: °C	Accept Wire	REFERENCE	PART NUMBER
Copper-Alloy and Gold-Plated	13	-196 to 300	.03 MAX. (0.8)	SAC16	10142

Removal Tool

Accessories for the Multipin BURNDY Series (Standard / High Current)



PT16 [10138]

Features

Removal Tool is available for Multipin series that remove the socket contacts out from insulators.*

This tool ensures that the contact locking louvers are fully retracted.

*Insulators of BURNDY and MIL-C-5015 series.

REFERENCE	PART NUMBER
PT16	10138

Crimp Tool

Accessories for the Multipin BURNDY Series (Standard / High Current)



CT2313 [10052]

Features

Crimp Tool is available that crimp the wire (AWG #13 to #23) with socket contacts.

This 4-indent crimp tool features a micrometer type adjusting knob providing continuously variable adjustments for precise crimp depths. Can be adjusted and set at crimp depths ranging from .025 to .075 inches allowing settings to be within .001 inch.

AWG #	REFERENCE	PART NUMBER
23 to 13	CT2313	10052

Introduction

Table of Contents

Glance

Coaxial

Multipin

Thermocouple

High Voltage & High Current

Isolator

Accessories

Custom-made products

Technical Data

Part number & Reference Index

Custom-made Application Sheet

Trademarks