

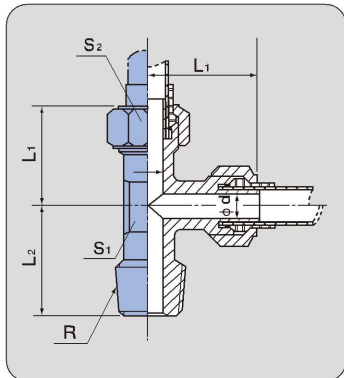
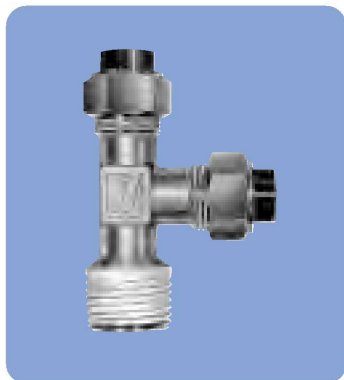
# PTB

## サービステー

### Male run tee

黄銅製

Brass



#### R (PT) ネジ別の色シール

R (PT) にはネジが一目で判別できるR (PT) ネジ毎の色シールがついています。

- R1/8 : 白    ●R1/4 : 青
- R3/8 : 黄    ●R1/2 : 灰

PAT.NO.1820889

#### Color Seals by R (PT) Screw

A color seal is attached to each R (PT) screw to enable the screws to be distinguished at a glance.

- R1/8 : white    ●R1/4 : blue
- R3/8 : yellow    ●R1/2 : gray

PAT.NO.1820889

#### ミリ系列/METRIC SERIES

部品番号 PART NO.	適用チューブ TUBE SIZE TO BE USED 外径×内径 O.D. (mm)×I.D. (mm)	R	φd (mm)	L <sub>1</sub> (mm)	L <sub>2</sub> (mm)	二面幅 TWO FACE WIDTH (mm)		重量 WEIGHT (g)	有効断面積 EFFECTIVE SECTIONAL AREA (mm <sup>2</sup> )
						S <sub>1</sub>	S <sub>2</sub>		
PTB- 4×3 -PT1/8-BS	4×3	1/8	2.0	20.0	19.5	7	10	22	2.5
PTB- 6×4.5-PT1/8-BS	6×4.5	1/8	3.5	22.0	20.0	10	12	24	7.5
PTB- 6×4.5-PT1/4-BS	6×4.5	1/4	3.5	23.0	24.0	10	12	38	7.5
PTB- 8×6 -PT1/8-BS	8×6	1/8	5.0	23.5	22.0	12	14	40	12.0
PTB- 8×6 -PT1/4-BS	8×6	1/4	5.0	23.5	24.0	12	14	44	16.0
PTB-10×7.5-PT1/4-BS	10×7.5	1/4	6.5	27.0	26.0	14	17	62	24.0
PTB-10×7.5-PT3/8-BS	10×7.5	3/8	6.5	27.0	26.0	14	17	69	27.0
PTB-12×9 -PT3/8-BS	12×9	3/8	8.0	27.0	26.0	14	19	73	36.0
PTB-12×9 -PT1/2-BS	12×9	1/2	8.0	29.0	32.0	17	19	102	36.0
PTB- 4×2.5-PT1/8-BS	4×2.5	1/8	1.5	20.0	19.5	7	10	22	1.6
PTB- 6×4 -PT1/8-BS	6×4	1/8	3.0	22.0	20.0	10	12	29	6.0
PTB- 6×4 -PT1/4-BS	6×4	1/4	3.0	23.0	24.0	10	12	38	6.0
PTB- 8×5 -PT1/8-BS	8×5	1/8	4.0	23.5	22.0	12	14	40	10.0
PTB- 8×5 -PT1/4-BS	8×5	1/4	4.0	23.5	24.0	12	14	44	11.0
PTB-10×6.5-PT1/4-BS	10×6.5	1/4	5.5	27.0	26.0	14	17	63	19.0
PTB-10×6.5-PT3/8-BS	10×6.5	3/8	5.5	27.0	26.0	14	17	70	20.0
PTB-12×8 -PT3/8-BS	12×8	3/8	7.0	27.0	26.0	14	19	75	30.0
PTB-12×8 -PT1/2-BS	12×8	1/2	7.0	29.0	32.0	17	19	97	30.0

#### インチ系列/INCH SERIES

部品番号 PART NO.	適用チューブ TUBE SIZE TO BE USED 外径×内径 O.D. (mm)×I.D. (mm)	R	φd (mm)	L <sub>1</sub> (mm)	L <sub>2</sub> (mm)	二面幅 TWO FACE WIDTH (mm)		重量 WEIGHT (g)	有効断面積 EFFECTIVE SECTIONAL AREA (mm <sup>2</sup> )
						S <sub>1</sub>	S <sub>2</sub>		
PTB-1/ 8-PT1/8-BS	3.18×2.36	1/8	1.4	19.0	19.5	7	8	18	1.8
PTB-3/16-PT1/8-BS	4.76×3.48	1/8	2.5	20.0	19.5	7	10	22	3.4
PTB-1/ 4-PT1/8-BS	6.35×4.57	1/8	3.6	22.0	20.0	10	12	29	8.5
PTB-1/ 4-PT1/4-BS	6.35×4.57	1/4	3.6	23.0	24.0	10	12	37	8.5
PTB-5/16-PT1/8-BS	7.94×5.90	1/8	4.9	23.5	22.0	12	14	38	15.0
PTB-5/16-PT1/4-BS	7.94×5.90	1/4	4.9	23.5	24.0	12	14	43	15.0
PTB-3/ 8-PT1/4-BS	9.53×6.99	1/4	6.0	27.0	26.0	14	17	61	20.0
PTB-3/ 8-PT3/8-BS	9.53×6.99	3/8	6.0	27.0	26.0	14	17	70	20.0
PTB-1/ 2-PT3/8-BS	12.70×9.56	3/8	8.6	27.5	26.0	14	19	69	36.0
PTB-1/ 2-PT1/2-BS	12.70×9.56	1/2	8.6	29.5	32.0	17	19	100	36.0