

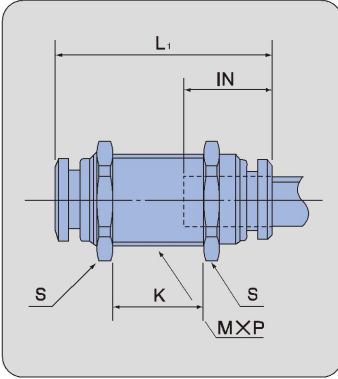
# PUPM

## 隔壁ユニオン

### Bulkhead union

黄銅製

Brass



| 部品番号<br>PART NO. | 適用チューブ<br>外径<br>TUBE O.D.<br>TO BE USED<br>(mm) | S<br>六角<br>対辺<br>HEX<br>(mm) | L <sub>1</sub><br>(mm) | K<br>最大パネル厚<br>MAX. PANEL<br>THICKNESS<br>(mm) | M×P<br>(mm) | IN<br>(mm) | 重量<br>WEIGHT<br>(g) | 最小内径<br>ORIFICE<br>(mm) | 有効断面積<br>EFFECTIVE SECTIONAL AREA<br>(mm <sup>2</sup> ) |                                  |
|------------------|---|------------------------------|------------------------|--|-------------|------------|---------------------|-------------------------|---|----------------------------------|
|                  |   |                              |                        |  |             |            |                     |                         | ナイロンチューブ<br>NYLON<br>TUBE                               | ウレタンチューブ<br>POLYURETHANE<br>TUBE |
| PUPM- 4-BSM      | 4   | 14                           | 30                     | 11   | 12×1        | 13         | 24                  | 3                       | 3.3   | 3.3                              |
| PUPM- 6-BSM      | 6   | 17                           | 31                     | 12   | 14×1        | 14         | 26                  | 4                       | 8.8   | 8.8                              |
| PUPM- 8-BSM      | 8   | 19                           | 33                     | 14   | 16×1        | 15         | 33                  | 6                       | 27.6  | 20.8                             |
| PUPM-10-BSM      | 10  | 24                           | 42                     | 18   | 20×1        | 19         | 40                  | 8                       | 42.9  | 33.9                             |
| PUPM-12-BSM      | 12  | 27                           | 46                     | 20   | 24×1        | 21         | 68                  | 10                      | 59.9  | 50.9                             |

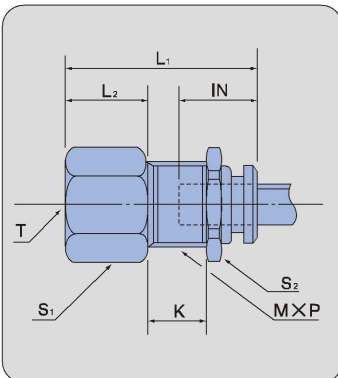
# PNFM

## 隔壁メスユニオン

### Bulkhead female union

黄銅製

Brass



| 部品番号<br>PART NO.  | 適用チューブ<br>外径<br>TUBE O.D.<br>TO BE USED<br>(mm) | T<br>(Rc・M) | 六角<br>対辺<br>HEX<br>(mm) |                | L <sub>1</sub><br>(mm) | L <sub>2</sub><br>(mm) | K<br>最大パネル厚<br>MAX. PANEL<br>THICKNESS<br>(mm) | M×P<br>(mm) | IN<br>(mm) | 重量<br>WEIGHT<br>(g) | 最小内径<br>ORIFICE<br>(mm) | 有効断面積<br>EFFECTIVE<br>SECTIONAL AREA<br>(mm <sup>2</sup> ) |                                  |
|-------------------|---|-------------|-------------------------|----------------|------------------------|------------------------|--|-------------|------------|---------------------|-------------------------|--|----------------------------------|
|                   |   |             | S <sub>1</sub>          | S <sub>2</sub> |                        |                        |  |             |            |                     |                         | ナイロンチューブ<br>NYLON<br>TUBE                                  | ウレタンチューブ<br>POLYURETHANE<br>TUBE |
| PNFM- 4-M5-BSM    | 4   | M5          | 14                      | 14             | 21                     | 5                      | 8  | 12×1        | 13         | 23                  | 3                       | 3.1  | 3.1                              |
| PNFM- 4-PT1/8-BSM | 4   | 1/8         | 14                      | 14             | 22                     | 7                      | 8  | 12×1        | 13         | 24                  | 3                       | 3.3  | 3.3                              |
| PNFM- 6-M5-BSM    | 6   | M5          | 17                      | 17             | 24                     | 4                      | 10   | 14×1        | 14         | 28                  | 4                       | 4.2  | 4.2                              |
| PNFM- 6-PT1/8-BSM | 6   | 1/8         | 17                      | 17             | 25                     | 6                      | 10   | 14×1        | 14         | 26                  | 3                       | 8.8  | 8.8                              |
| PNFM- 6-PT1/4-BSM | 6   | 1/4         | 19                      | 17             | 31                     | 12                     | 10   | 14×1        | 14         | 22                  | 6                       | 8.8  | 8.8                              |
| PNFM- 8-PT1/4-BSM | 8   | 1/4         | 19                      | 19             | 28                     | 7                      | 12   | 16×1        | 15         | 20                  | 6                       | 28.2   | 19.6                             |
| PNFM- 8-PT3/8-BSM | 8   | 3/8         | 22                      | 19             | 33                     | 12                     | 12   | 16×1        | 15         | 48                  | 6                       | 28.2   | 19.6                             |
| PNFM-10-PT1/4-BSM | 10  | 1/4         | 24                      | 24             | 36                     | 14                     | 12   | 20×1        | 19         | 88                  | 8                       | 42.9   | 35.5                             |
| PNFM-10-PT3/8-BSM | 10  | 3/8         | 24                      | 24             | 36                     | 15                     | 12   | 20×1        | 19         | 75                  | 8                       | 42.9   | 35.5                             |
| PNFM-12-PT1/4-BSM | 12  | 1/4         | 27                      | 27             | 38                     | 15                     | 13   | 24×1        | 21         | 118                 | 10                      | 59.9   | 50.2                             |
| PNFM-12-PT3/8-BSM | 12  | 3/8         | 27                      | 27             | 38                     | 15                     | 13   | 24×1        | 21         | 107                 | 10                      | 59.9   | 50.2                             |
| PNFM-12-PT1/2-BSM | 12  | 1/2         | 27                      | 27             | 41                     | 18                     | 13   | 24×1        | 21         | 109                 | 10                      | 59.9   | 50.2                             |