

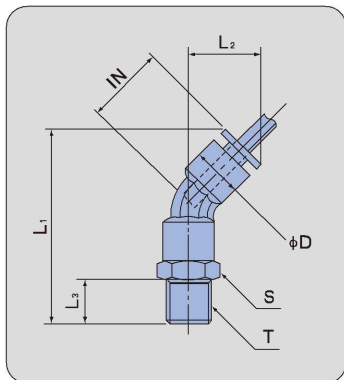
PL45M

45°エルボ

Male 45° elbow

樹脂製

Plastic body



部品番号 PART NO.	適用チューブ 外径 TUBE O.D. TO BE USED (mm)	T (R·M)	φD (mm)	S 六角 対辺 HEX (mm)	L ₁ (mm)	L ₂ (mm)	L ₃ (mm)	IN (mm)	重量 WEIGHT (g)	最小内径 ORIFICE (mm)	有効断面積 EFFECTIVE SECTIONAL AREA (mm ²)	
											ナイロンチューブ NYLON TUBE	ウレタンチューブ POLYURETHANE TUBE
PL45M- 4-M5-PM	4	M5	10	10	36	16	5	13	8	2.5	2.5	2.5
PL45M- 4-PT1/8-PM	4	1/8	10	10	39	16	8	13	13	3	2.7	2.7
PL45M- 4-PT1/4-PM	4	1/4	10	14	42	16	11	13	16	3	2.7	2.7
PL45M- 6-M5-PM	6	M5	12	12	38	17	5	14	12	2.5	3.6	3.6
PL45M- 6-PT1/8-PM	6	1/8	12.5	12	41	17	8	14	13	4	6.8	6.8
PL45M- 6-PT1/4-PM	6	1/4	12.5	14	44	17	11	14	18	4	6.8	6.8
PL45M- 6-PT3/8-PM	6	3/8	12.5	17	45	17	12	14	23	4	6.8	6.8
PL45M- 8-PT1/8-PM	8	1/8	14.5	14	44	18	8	15	16	6	20.9	15.7
PL45M- 8-PT1/4-PM	8	1/4	14.5	14	47	18	11	14	21	6	20.9	15.7
PL45M- 8-PT3/8-PM	8	3/8	14.5	17	48	18	12	14	26	6	20.9	15.7
PL45M-10-PT1/8-PM	10	1/8	19	19	55	23	9	19	27	6	21.1	20.6
PL45M-10-PT1/4-PM	10	1/4	19	19	57	23	11	19	29	8	36.0	27.0
PL45M-10-PT3/8-PM	10	3/8	19	19	58	23	12	19	35	8	36.0	27.0
PL45M-10-PT1/2-PM	10	1/2	19	19	62	23	16	19	42	8	36.0	27.0
PL45M-12-PT1/8-PM	12	1/8	22	22	60	26	9	21	36	6	38.9	28.9
PL45M-12-PT1/4-PM	12	1/4	22	22	61	26	12	21	39	8	53.0	43.0
PL45M-12-PT3/8-PM	12	3/8	22	22	61	26	12	21	45	10	53.0	43.0
PL45M-12-PT1/2-PM	12	1/2	22	22	66	26	16	21	61	10	53.0	43.0

※R (PT) ネジには、ネジサイズが一目で判別できるR (PT) ネジ別の色シールがついています。PAT.NO.1820889
The R (PT) screws have different color seals so that they can be distinguished at a glance.

●R1/8: 白 white ●R1/4: 青 blue ●R3/8: 黄 yellow ●R1/2: 灰 gray