

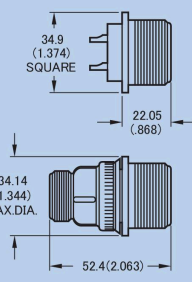
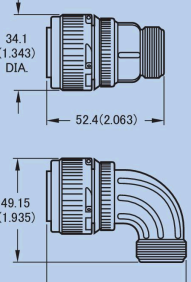
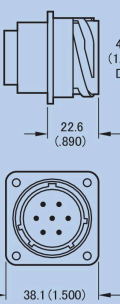
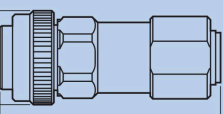


物理的に離れた機器間の接続

APPLICATION BETWEEN REMOTE UNITS

丸型コネクタ・CIRCULAR CONNECTORS

シリーズ名 Series Prefix	N / MS - A / B		JL05
タイプ Type	ML 規格品の MS コネクタと互換 Interchangeable with ML SPEC. MS connector		JIS B 9960-1 規格準拠・嵌合時防水型 Conformed to JIS B 9960-1・Waterproof
接続形態 Connection Styles	パネル対電線・電線中継 Panel to Cable・Cable connecting		パネル対電線 Panel to Cable
結合方式 Coupling Styles	ネジ Threaded		バヨネットロック Bayonet Lock
結線方法 Termination Styles	半田 Solder		圧着 Crimp
外 観 Appearance			
外形寸法 (参考例) Outer Dimension of Connector (Example of Products) mm (inch)	<div style="display: flex; justify-content: space-around;"> <div style="text-align: center;"> <p>Receptacle</p>  </div> <div style="text-align: center;"> <p>Plu g</p>  </div> </div> <p style="text-align: center;">※ For contact arrangement 18-1 Shell size : 18 No. of cont : 10</p> <p style="text-align: center;">※ For contact arrangement 20-15 Shell size : 20 No. of cont : 7</p> <p>(Note) 上図は、ケーブルクランプ等のアクセサリ類は省く Shown as above drawing excludes accessories as cable clamp, etc.</p>		<div style="display: flex; justify-content: space-around;"> <div style="text-align: center;"> <p>Receptacle</p>  </div> <div style="text-align: center;"> <p>Plu g</p>  </div> </div> <p style="text-align: center;">※ For contact arrangement 20-15 Shell size : 20 No. of cont : 7</p>
極 数 No. of Contacts	1, 2, 3, 4, 5, 6, 7, 8, 9, 10, 11, 14, 16, 17, 19, 22, 24, 26, 35, 37, 48, 54		4, 5, 7, 8, 9, 10, 17, 19, 24, 30, 36, 37, 52, 73
コネクタ形状 Connector Styles	Plug	Straight・Right-angle	Straight
	Receptacle	Box mounting・Cable mounting	Box mounting
適用電線 Applicable Wire Size	# 0AWG max. to # 16AWG max.		# 8 to # 26AWG
定格電流 Current Rating	# 16 Cont. /13Amps to # 0 Cont. /150Amps		# 20 Cont. /2Amps to # 8 Cont. /46Amps
耐 電 圧 D.W.Voltage	1000 to 7000 VACrms (1 minute)		1000 to 2800 VACrms (1 minute)
絶縁抵抗 Insulation Resistance	5000 megohms min.		5000 megohms min.
接触抵抗 Contact Resistance	74 millivolt max. (Example # 16 Cont. /# 16AWG)		27 milliohms max. /# 26AWG. (Example)
防 水 性 Waterproof	—		IP67
使用温度 Operating Temperature	- 55 °C to + 125 °C		- 55 °C to + 125 °C
コンタクト接触部仕上 Finish of Connecting Area	Silver plating		Silver plating
特記事項 Remarks			<ul style="list-style-type: none"> ●保護回路接続構造 ● Connected to protection circuit