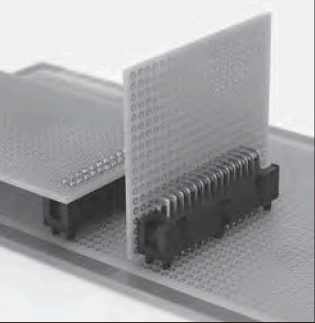
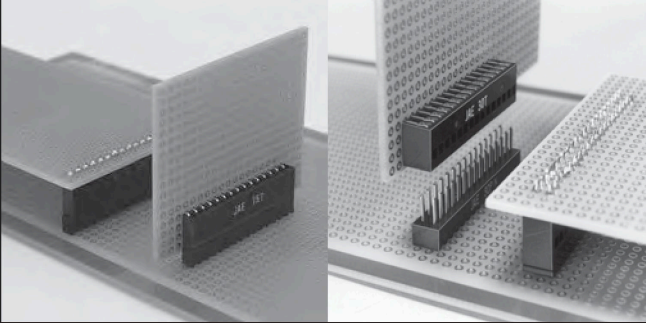
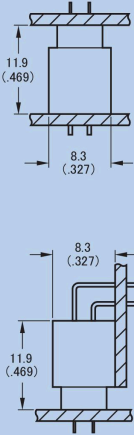
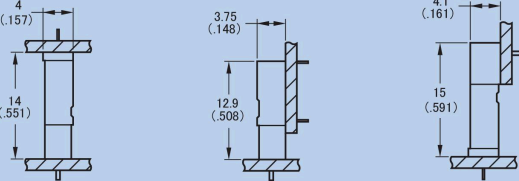
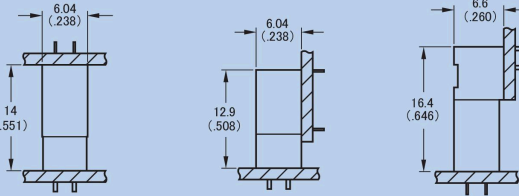


## ■ プリント基板用コネクタ・P.C.BOARD CONNECTORS

PS (Box type)	PS
2.54 mm (.100 inch)	2.54 mm (.100 inch)
垂直・平行 Vertical・Parallel	垂直・平行 Vertical・Parallel
半田 (スルーホール) Solder (Through-hole)	半田 (スルーホール) Solder (Through-hole)
	
	<p>1 row</p>  <p>2 rows</p> 
40, 50	1 row: 5, 10, 15, 20, 25, 30 2 rows: 10, 16, 20, 26, 30, 34, 40, 50, 60
Straight・Right-angle	Straight・Right-angle
Straight	Straight・Right-angle
1.6mm (.063 inch)	1.6mm (.063 inch)
3Amps	3Amps
1000 VACrms (1 minute)	1000 VACrms (1 minute)
1000 megohms min.	1000 megohms min.
10 milliohms max.	10 milliohms max.
-55 °C to +85 °C	-55 °C to +85 °C
Gold plating	Gold plating