

自動 (複動・単動 [ノーマルオープン・クローズ])

Automatic (Single acting/Double acting [normally open/closed])

■ WITH NW-KF FLANGES
1FLV SERIES LX-1FLV SERIES



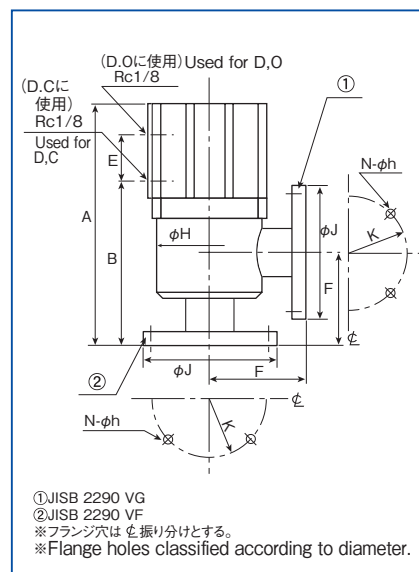
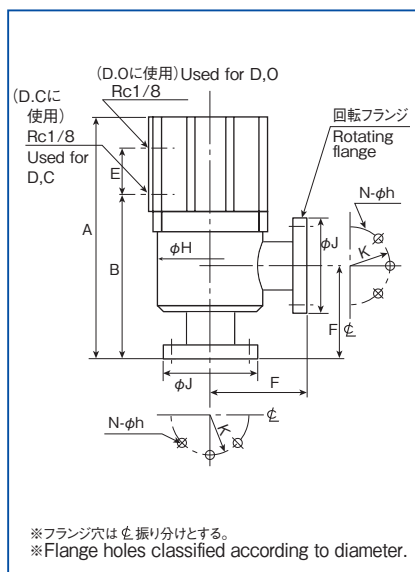
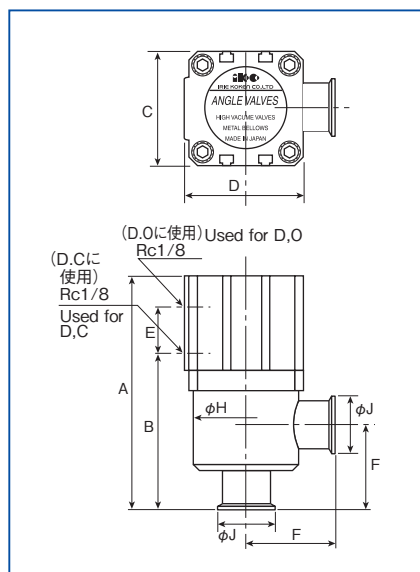
■ WITH CF FLANGES
2FLV SERIES LX-2FLV SERIES



■ WITH JIS FLANGES
3FLV SERIES LX-3FLV SERIES



外觀図 / Schematic diagram



寸法表 / Table of dimensions

自動型: 複動D, 単動C (ノーマルクローズ), 単動O (ノーマルオープン)

Automatic: Double acting [D], Single acting [C] (normally closed), Single acting [O] (normally open)

Model No.	Dimensions	A	B	C	D	E	F	φH	φJ	K	N-φh	Approximate Weight (kg)
(LX)1FLV - 16D.C.O		132.5	93	47	50	22.5	40	40	30	-	-	0.7
〃 - 25D.C.O		141.5	101.5	59	62	24.5	50	54	40	-	-	1.1
〃 - 40D.C.O		168	117.5	81	84.5	33	65	76	55	-	-	2.1
〃 - 50D.C.O		186.5	128.5	92	92	39	70	89	75	-	-	3.1
〃 - 63D.C.O		229	163.5	110	110	45.5	88	110	87	-	-	5.6
(LX)2FLV - 70D.C.O		173	122.5	81	84.5	33	70	76	69.3	58.7	6-6.8	2.5
〃 - 114D.C.O		201.5	143.5	92	92	39	85	89	113.5	92.2	8-8.5	5.0
(LX)3FLV - 25D.C.O		151.5	111.5	59	62	24.5	60	54	90	70	4-10	1.8
〃 - 40D.C.O		173	122.5	81	84.5	33	70	76	105	85	4-10	3.2
〃 - 50D.C.O		199.5	141.5	92	92	39	83	89	120	100	4-10	4.5
〃 - 65D.C.O		241	175.5	110	110	45.5	100	110	145	120	4-12	7.4