

Low Starting Resistance Rubber Wheel
Type: Swivel Caster with Lock Brake

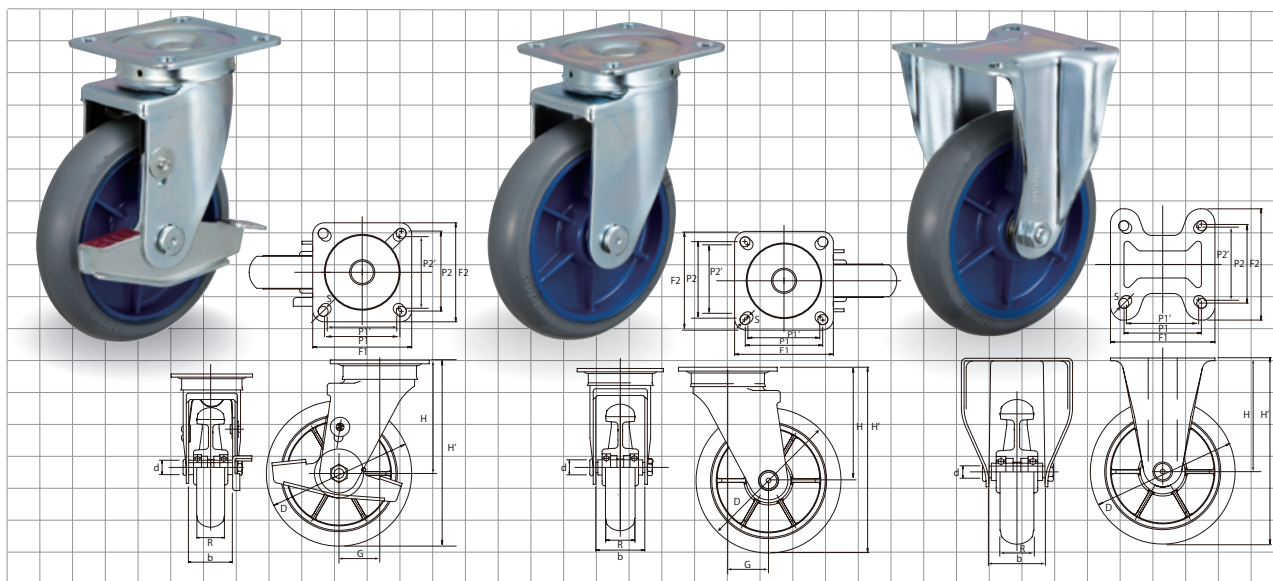
LR-WJB

Low Starting Resistance Rubber
Wheel Type: Swivel Caster

LR-WJ

Low Starting Resistance Rubber
Wheel Type: Rigid Caster

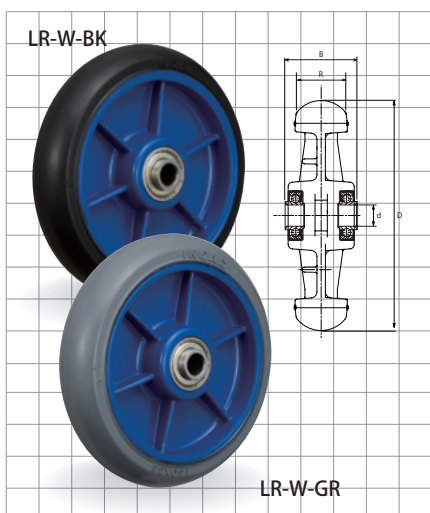
LR-WK



Product Name	Wheel diameter	Wheel Type	Wheel Material	Tire width	Mounting Height	Top plate	Hole pitch	Hole diameter	Offset	Shaft	Maximum load		Quantity per case
	D			R	H'	F1/F2	P1/P2	S			G	N	kg
LR-150WJB-BK	150	Low Start Rubber(BLACK)	PA(BLUE)	35	191	102/102	75/75 (80/80)	11	39.5	12	1960	200	10
LR-150WJB-GR	150	Low Start Rubber(GRAY)	PA(BLUE)	35	191	102/102	75/75 (80/80)	11	39.5	12	1960	200	10

Product Name	Wheel diameter	Wheel Type	Tire width	Mounting Height	Top plate	Hole pitch	Hole diameter	Offset	Shaft	Maximum load		Quantity per case
	D									R	H'	F1/F2
LR-150WJ-BK	150	Low Start Rubber(BLACK)	35	191	102/102	75/75 (80/80)	11	39.5	12	1960	200	10
LR-150WJ-GR	150	Low Start Rubber(GRAY)	35	191	102/102	75/75 (80/80)	11	39.5	12	1960	200	10

Product Name	Wheel diameter	Wheel Type	Wheel Material	Tire width	Mounting Height	Top plate	Hole pitch	Hole diameter	Shaft	Maximum load		Quantity per case
	D			R	H'	F1/F2	P1/P2	S		d	N	kg
LR-150WK-BK	150	Low Start Rubber(BLACK)	PA(BLUE)	35	191	102/102	75/75 (80/80)	11	12	1960	200	10
LR-150WK-GR	150	Low Start Rubber(GRAY)	PA(BLUE)	35	191	102/102	75/75 (80/80)	11	12	1960	200	10



Low Starting Resistance Rubber Wheel Type:
Wheel Only

LR-W

Product Name	Wheel diameter	Wheel Type	Tire width	Shaft	Maximum load		Quantity per case
	D		R	d	N	kg	Qty
LR-150W-BK	150	Low Start Rubber(BLACK)	35	12	1960	200	20
LR-150W-GR	150	Low Start Rubber(GRAY)	35	12	1960	200	20

Casters for Middle-Size Loads