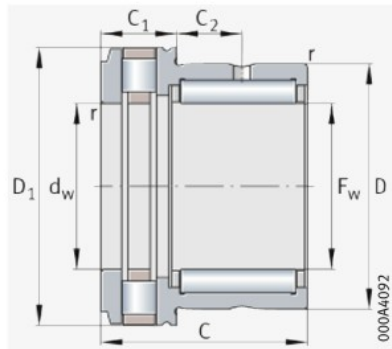


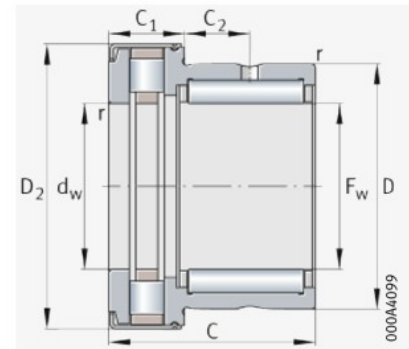


Needle roller/axial cylindrical roller bearings

Without inner ring
With or without end cap



NKXR



NKXR..-Z

F_w = 15 – 50 mm

Main dimensions			Basic load ratings				Limiting speed	Speed rating	Mass		Designation	
			radial		axial				Without end cap	With end cap	Without end cap	With end cap
F _w	D	C	dyn. C _r N	stat. C _{0r} N	dyn. C _a N	stat. C _{0a} N	n _G min ⁻¹	n _{∅r} min ⁻¹	m ≈ g	m ≈ g		
		-0,25										
15	24	23	12 100	12 700	14 400	28 500	13 000	6 500	42	45	NKXR15-XL	NKXR15-Z-XL
17	26	25	13 500	15 000	16 000	33 500	12 000	5 500	50	53	NKXR17-XL	NKXR17-Z-XL
20	30	30	18 600	23 800	25 000	53 000	10 000	4 200	80	84	NKXR20-XL	NKXR20-Z-XL
25	37	30	21 300	30 500	33 500	76 000	8 500	3 400	120	125	NKXR25-XL	NKXR25-Z-XL
30	42	30	25 500	36 000	35 500	86 000	7 500	2 900	135	141	NKXR30-XL	NKXR30-Z-XL
35	47	30	27 500	41 500	39 000	101 000	6 500	2 500	157	165	NKXR35-XL	NKXR35-Z-XL
40	52	32	29 500	47 000	56 000	148 000	6 000	2 000	204	214	NKXR40-XL	NKXR40-Z-XL
45	58	32	31 000	53 000	59 000	163 000	5 000	1 900	244	260	NKXR45-XL	NKXR45-Z-XL
50	62	35	43 000	74 000	62 000	177 000	4 800	1 700	268	288	NKXR50-XL	NKXR50-Z-XL

Designation
 ▶ 975 | 2.12
 ▶ 975 | 2.13
 X-life ▶ 968

medias ▶ <https://www.schaeffler.de/std/1E41>