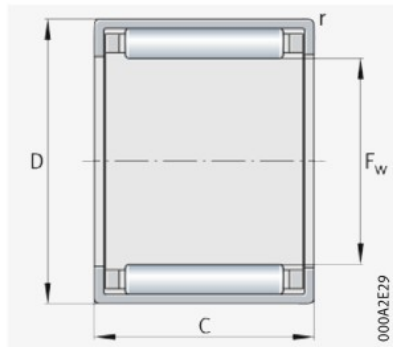




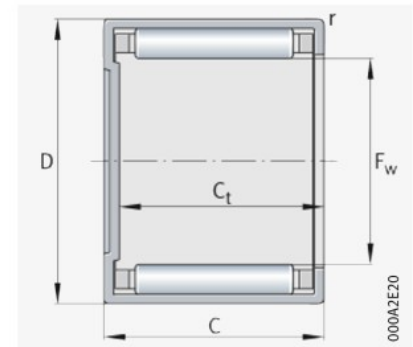
Drawn cup needle roller bearings with open ends

Drawn cup needle roller bearings with closed end

Unsealed



HK



BK

$F_w = 2 - 16 \text{ mm}$

Main dimensions			Basic load ratings		Fatigue limit load C_{ur}	Limiting speed n_G	Speed rating $n_{\partial r}$	Drawn cup needle roller bearings with open ends		Drawn cup needle roller bearings with closed end	
F_w	D	C	dyn. C_r	stat. C_{0r}				Mass m $\approx g$	Designation ▶ 893 1.12 ▶ 894 1.13	Mass m $\approx g$	Designation ▶ 893 1.12 ▶ 894 1.13
		-0,3	N	N	N	min^{-1}	min^{-1}	$\approx g$		$\approx g$	
2	4,6	5	465	265	28,5	58 000	93 000	0,3	HK0205-TV ¹⁾	-	-
3	6,5	6	1 230	840	85	48 000	57 000	1	HK0306-TV ¹⁾	1	BK0306-TV ¹⁾
4	8	8	1 780	1 310	144	42 500	44 500	1,5	HK0408 ¹⁾	1,6	BK0408 ¹⁾
5	9	9	2 400	1 990	239	39 000	36 500	2	HK0509 ¹⁾	2,1	BK0509 ¹⁾
6	10	6	1 610	1 220	167	36 500	31 500	1,5	HK0606 ¹⁾	-	-
	10	8	2 030	1 650	184	36 500	31 500	2,1	HK0608 ¹⁾	-	-
	10	9	2 850	2 600	310	36 500	30 500	2,5	HK0609	2,6	BK0609
7	11	9	3 100	2 950	355	33 000	26 500	2,6	HK0709	2,9	BK0709
8	12	8	2 750	2 600	290	29 500	23 800	2,7	HK0808	3	BK0808
	12	10	3 800	3 950	500	29 500	23 200	3	HK0810	3,4	BK0810
9	13	8	3 550	3 750	440	26 500	20 600	3	HK0908	-	-
	13	10	4 250	4 650	600	26 500	20 600	4	HK0910	4,3	BK0910
	13	12	5 300	6 300	860	26 500	20 200	4,6	HK0912	4,9	BK0912
10	14	10	4 400	5 100	650	24 300	18 700	4,1	HK1010	4,3	BK1010
	14	12	5 500	6 800	930	24 300	18 400	4,8	HK1012	5	BK1012
	14	15	6 800	8 800	1 210	24 300	18 200	6	HK1015	6,2	BK1015
12	16	10	4 950	6 200	800	20 700	15 700	4,6	HK1210	5,2	BK1210
	18	12	6 500	7 300	860	20 000	15 500	9	HK1212	10	BK1212
	18	16	9 300	11 500	1 420	20 000	15 100	13	HK1216	-	-
13	19	12	6 800	7 900	940	18 700	14 400	10	HK1312	11	BK1312
14	20	12	7 100	8 500	1 010	17 500	13 500	10,5	HK1412	12	BK1412
15	21	12	7 900	9 400	1 150	16 300	12 300	11	HK1512	13	BK1512
	21	16	10 500	14 400	1 780	16 500	12 300	15	HK1516	17	BK1516
	21	22	13 400	19 500	2 380	16 500	12 300	20	HK1522-ZW	-	-
16	22	12	7 600	9 700	1 160	15 600	11 900	12	HK1612	14	BK1612
	22	16	10 900	15 300	1 900	15 600	11 600	16	HK1616	18	BK1616
	22	22	13 100	19 400	2 310	15 600	11 700	22	HK1622-ZW	24	BK1622-ZW

medias ▶ <https://www.schaeffler.de/std/1F15>

¹⁾ Not available with lubrication hole.

²⁾ For unsealed drawn cup needle roller bearings, dimensionally matched sealing rings of series G or SD can be used to provide protection against contamination.