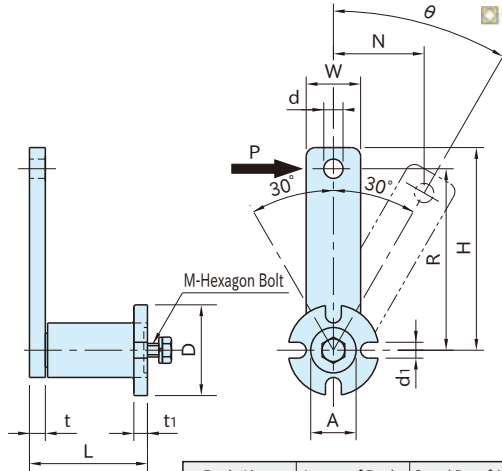


TC-PX

PLASTIC FIXED ANGLE TIGHTENERS



Body/Arm	Insert of Body	Cored Bar of Arm	Elastic Cylinders
Polyamide (glass-fiber reinforced) Black	Brass	Steel(SS400) Zinc Plated	Natural Rubber

Part Number	d	R	L	H	W	t	t ₁	D	M	d ₁	A	Max tension (N)	Weight (g)
TC-PX10	8.5	80	52	90	24	7	6	40	M 6X1	7	20	85	130
TC-PX20	10.5	100	65	112.5	30	8	8	50	M 8X1.25	9	30	136	200
TC-PX30			78	115	36		10	60	M10X1.5		35	340	380

Part Number	Tightening Torque (N·m)	$\theta = 10^\circ$		$\theta = 20^\circ$		$\theta = 30^\circ$	
		P(N)	N	P(N)	N	P(N)	N
TC-PX10	10	15	14	40	28	85	40
TC-PX20	25	25	17	65	34	136	50
TC-PX30	49	75		180		340	

Features:

- This tightener is highly resistant to corrosion.
- It is noiseless and has high reliability.
- Can be used in various applications, chain or belt tighteners, shock and vibration absorbers.

Related Product Page

Pulley Bolt Sets **TC-IB** are available separately.

Technical information:

Working temperature : -35 to 80°C

