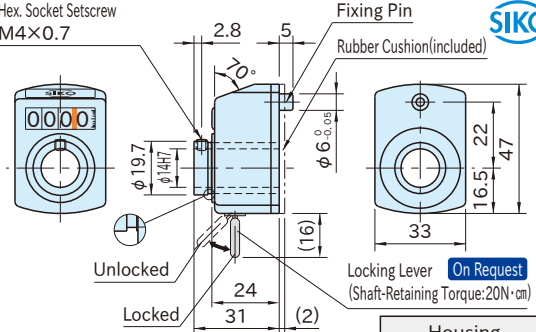


SDP-04

DIGITAL POSITION INDICATORS



Hex. Socket Setscrew
M4×0.7



Housing
Polyamide (nylon 6) plastic
Orange
Black (on request)
Gray (on request)

Features

- Lightweight and compact
- Using a shaft sleeve allows accepting a shaft of 6mm, 8mm, 10mm or 12mm diameter.
- The locking lever (on request) prevents the shaft from rotating due to vibrations from the machine (SKP-04 SKPZNO4 Clamp Plates can also be used for the same purpose).
- Displayed figure height : 6mm

Furnished With

- Comes with a rubber cushion

Technical Information

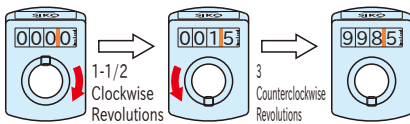
Working temperature : Up to 80°C

How To Use

- 1 Stick the rubber cushion to the back of the indicator. Do not stick it when using the housing seal.
- 2 Drill a fixing-pin hole in the mounting wall, 22mm above the shaft center.
- 3 Slide the indicator onto the shaft to the mounting wall and then tighten the setscrew.

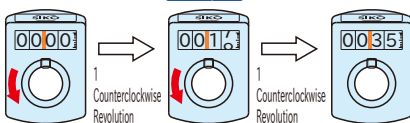
Application Example

SDP-04FR-1B



SDP-04FL-1.75A

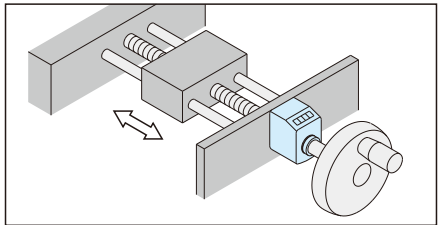
On Request



Notes

- Ensure that the start-up revolution speed is 1/3 or less of the allowable revolution speed.
- Do not give rapid acceleration or sudden stop.
- These position indicators can not be used in applications where the shaft moves in the axial direction.
- The rubber cushion and the housing seal **SDP-04-HS** can not be used together.

Application Example



Housing seal & Front seal (to be ordered separately)

Part Number	Weight (g)
SDP-04-FS	0.3
SDP-04-HS	3.4

Features

Using the front seal and the housing seal together offers better airtightness.