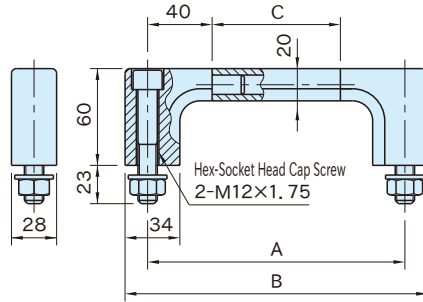
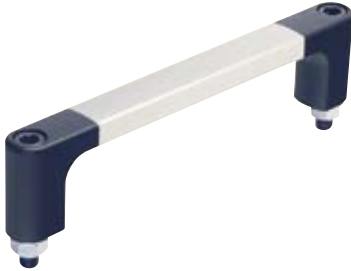


**MH2 ALUMINUM EQUIPMENT HANDLES**



Handle	Shank
Aluminum (A6N01S)	Die-cast aluminum alloy (ADC10)
Anodized finish	Coating finish
Satin finish	Black matte
Natural matte	

Part Number	A	B	C	Load Capacity (N)	Weight (g)
<b>MH2-180</b>	180	208	100	1000	416
<b>MH2-200</b>	200	228	120		433
<b>MH2-250</b>	250	278	170		475
<b>MH2-300</b>	300	328	220		518