

# LVA60 / LVE60

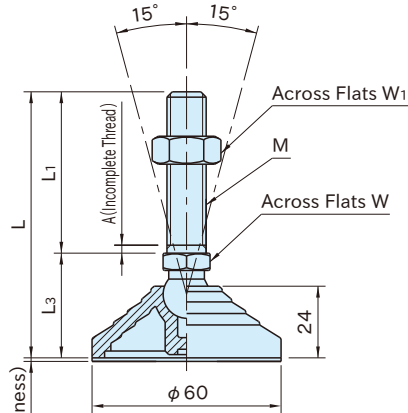
# PLASTIC LEVELING FEET



Original Elesa Model LV.A-60



**LVE**  
(Conductive Design)



Type	Foot	Stud/Nut	Rubber Disk	
<b>LVA60</b>	Polyamide (glass-fiber reinforced) Black matte	Steel (SUM22L) Zinc plated	-	
<b>LVE60</b>			Nitrile rubber (NBR)	
<b>LVAR60</b>			Stainless steel (SUS304)	-
<b>LVER60</b>				Nitrile rubber (NBR)
<b>LVA60-SUS</b>		Stainless steel (SUS304)	-	
<b>LVE60-SUS</b>			Nitrile rubber (NBR)	
<b>LVAR60-SUS</b>				
<b>LVER60-SUS</b>				

Size	L	L <sub>3</sub>	L <sub>1</sub>	M	W	W <sub>1</sub>	A	Load Capacity (N)
<b>LVA60</b> <b>LVE60</b> <b>LVAR60</b> <b>LVER60</b> <b>LVA60-SUS</b> <b>LVE60-SUS</b> <b>LVAR60-SUS</b> <b>LVER60-SUS</b>	<b>8A</b>	76	43	M 8×1.25	14	13	2	14,000
	<b>8B</b>	101	68					
	<b>10A</b>	76	43	M10×1.5				
	<b>10B</b>	101	68					
	<b>10C</b>	131	98					
	<b>12A</b>	76	43	M12×1.75				
	<b>12B</b>	101	68					
	<b>12C</b>	131	98					
	<b>16A</b>	101	68	M16×2	16	24		
	<b>16B</b>	141	108					
	<b>16C</b>	181	148					
	<b>16D</b>	201	168					
	<b>20A</b>	141	98	M20×2.5	24	30	4	18,000
	<b>20B</b>	181	138					
	<b>20C</b>	201	158					
	<b>20D</b>	241	198					
<b>24A</b>	141	98	M24×3	24	36	5		
<b>24B</b>	201	158						
<b>24C</b>	241	198						

※Some items are not RoHS-compliant. Check out our website for the latest information.