

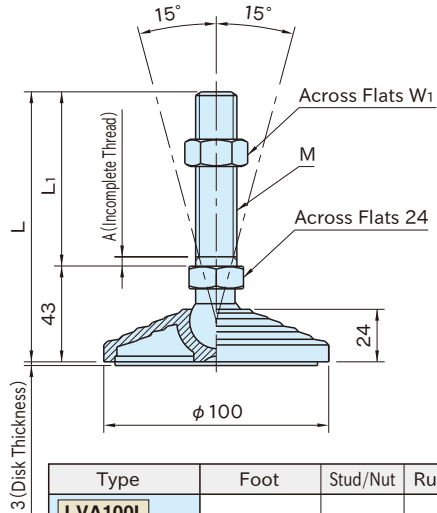
LVA100 / LVE100 PLASTIC LEVELING FEET



Original ELESA Model LV.A-100



LVE
(Conductive Design)



Type	Foot	Stud/Nut	Rubber Disk	
LVA100L	Polyamide (glass-fiber reinforced) Black matte	Steel (SUM22L)	-	
LVE100L			Nitrile rubber (NBR)	
LVAR100L		SUS304	-	
LVER100L			Nitrile rubber (NBR)	
LVA100L-SUS	SUS304	Zinc plated	-	
LVE100L-SUS			Nitrile rubber (NBR)	
LVAR100L-SUS		SUS304	Zinc plated	-
LVER100L-SUS				Nitrile rubber (NBR)

Size	L	L1	M	W1	A	Load Capacity (N)
LVA100L LVA100L-SUS LVE100L LVE100L-SUS LVAR100L LVAR100L-SUS LVER100L LVER100L-SUS	20A	141	98	M20×2.5	30	25,000
	20B	181	138			
	20C	201	158			
	20D	241	198			
	24A	141	98	M24×3	36	
	24B	201	158			
	24C	241	198			